

宁波恒隆车业有限公司

NINGBO HENLON BICYCLE CO.,LTD

地址：中国·宁波慈溪市新浦镇心连心路99号

Add: No.99 Xinlianxin Road, Xinpu Town, Cixi City, Zhejiang China

电话(Tel): 0086-574-63596552 63577552

传真(Fax): 0086-574-63597752 63578752

官网(Web): www.henlonbicycle.cn

邮箱(E-mail): xuri@xuribicycle.cn

天津办事处 Tianjin Office

地址：天津市北辰区王秦庄津保高速南侧(天津自行车二厂)院内

Add: The Second Tianjin Bicycle Factory, South of Jin Bao Expressway,
Wangqin Zhuang Village, Beichen District, Tianjin China

电话(Tel): 137 5255 8833

传真(Fax): 0086-022-86931303

无锡办事处 Wuxi Office

地址：无锡市锡山区安镇南方电动车城2C栋118号

Add: No.118, building 2C, South Electric Vehicle Marketplace,
An Town, Xishan District, Wuxi City, Jiangsu China

电话(Tel): 188 5825 9605

传真(Fax): 0510-8878 7099

台州办事处 Taizhou Office

地址：台州市路桥区里王路178号

Add: No.178 Liwang Road, Luqiao District, Taizhou City, Zhejiang China

电话(Tel): 136 0668 5158

传真(Fax): 0576-8245 4287



HLNB

NEW PRODUCTS

为全球骑行者提供安全

舒适的转向助力解决方案和服务

Provide safety for cyclists around the world

Comfortable steering assistance solutions and services

www.henlonbicycle.cn



KNUS

ABOUT HENLON

成为两轮车行业 转向助力部件全球第一品牌 引领行业发展

To be the world's top 1 brand of
power steering components in two-wheeler industry
And set the pace of industry development

www.henlonbicycle.cn

宁波恒隆车业有限公司成立于1996年，公司位于浙江省宁波市国家级前湾新区，美丽的杭州湾大桥南岸，慈溪-新浦工业区。是一家专注于两轮车（摩托车、电动车、自行车、滑板车等）高端车头碗组件、中轴等转向助力部件研究、开发、生产、销售一体化的高端制造企业。

公司技术研发实力雄厚，拥有专业技术人员10多人，是中国自行车车头碗组件及中轴标准起草单位，20年来公司荣获了省、市、区县级政府荣誉20多项，2020年荣获国家工信部第二批“专精特新·小巨人”企业称号，2021年又被政府认定为国家级“高新技术企业”。

公司产品制造涵盖锻造、冲压、五金、精密加工、热处理、磷化等20多道工艺，目前拥有全自动智能数控车床、大型精雕加工中心、冲床、磨床、滚花等设备500多台，可实现钢件、铝合金等金属件全流程的加工制造。

公司自成立以来，始终“坚持以品质为导向的品牌战略，以客户为中心，以价值贡献者为本”的企业核心价值观，不断引进人才、优化管理和服务水平，公司上下竭诚为国内200多家两轮车企业和欧美、日韩等30多个国家和地区的50多个海外客户提供高品质的产品和服务。

为提升战略竞争力，公司已启动全面管理变革，投资近1亿元的全新未来数字化工厂已在规划筹建中，预计2024年能正式投产。

天道酬勤，志存高远！

公司全体员工在董事长胡如科的带领下，把“为全球骑行者提供安全、舒适的转向助力解决方案和服务”作为企业使命，把“成为两轮车行业转向助力部件全球第一品牌，引领行业发展”作为企业愿景和梦想，奋力拼搏！扬帆远航！

未来的恒隆，必将以一流的团队、一流的品质、一流的服务，为您及您的企业提供优质的产品、全方位的解决方案和服务！

Incorporated in 1996, located in the state-level Qianwan New Area, Ningbo, Zhejiang, on the south bank of the fascinating scenery Hangzhou Bay Bridge, and in Cixi-Xinpu Industrial Zone, Ningbo Henglong Bicycle Co., Ltd. ("Ningbo Henglong") is an upscale manufacturer specialized in the research, development, production and marketing sales of high-end headset components, center axles and other steering components of two-wheelers (motorcycles, electric vehicles, bicycles, scooters).

With an impressive technical R&D strength and more than 10 technical specialists, Ningbo Henglong drafted the Chinese standard for headsets and center axles. Over 20 years, Ningbo Henglong has been granted over 20 provincial, municipal, district and county government honors. In 2020, Ningbo Henglong was granted the honorary title of the second batch of "Specialized, Fined, Peculiar-Little Giant" by the Ministry of Industry and Information Technology of the PRC; in 2021, rated as a state-level "High-tech Enterprise" by the government in 2021.

The manufacturing flow includes more than 20 processes such as forging, stamping, hardware, precision machining, heat treatment, and phosphating. Currently, it owns more than 500 sets of equipment ranging from automatic CNC lathes, large carving processing centers, punching presses, grinding presses, and knurling presses. With these sets of equipment, Ningbo Henglong is capable of processing and manufacturing steel parts, aluminum alloys and other metal parts throughout the process.

From the date of incorporation, Ningbo Henglong has been adhering to the core corporate values of "sticking to the quality-oriented brand strategy, customer-centered, value contributor-based", introducing talents, improving management and service level, and earnestly rendering quality products and services for more than 200 two-wheeler manufacturers in China, as well as more than 50 overseas customers in over 30 countries and regions such as EU, USA, Japan, and South Korea.

To enhance strategic competitiveness, Ningbo Henglong has rolled out a management revolution on a full scale, the new future-minded digital factory that has been invested nearly RMB 100 million is under planning and construction, and it is expected to be put into operation in 2024.

God rewards the diligent, aimed for high aspirations!

As led by President Mr. Hu Ruke, all staff members undertake the mission statement of "offering safe and comfortable steering power steering solutions and services for global riders", aim at the vision and dream of "to be the world's Top 1 brand of power steering components in two-wheeler industry and set the pace of industry development". Work hard! Set sail!

In future, Henglong is expected to provide you and your company with premium products, full package of solutions and services in reliance of first-in-class team, quality and service!

目录 2022 CONTENTS

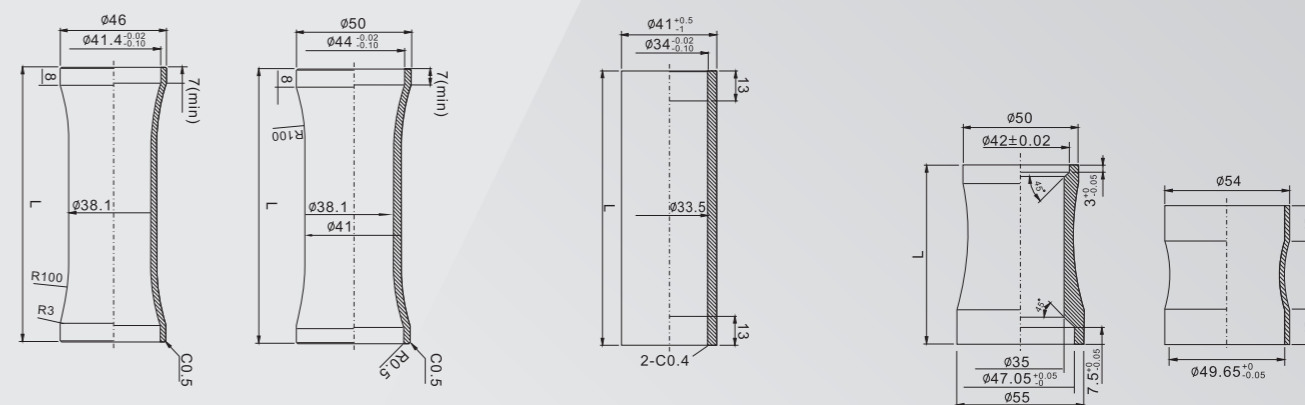
车头碗组 HEADSETS P.1 ~ P.42

内走线碗组	Internal Wiring Headsets Group	P.1
带锁碗组	With Lock Headsets Group	P.2 ~P.4
半隐藏式有牙碗组	Semi-Integrated Threaded Headsets	P.5 ~P.10
半隐藏式无牙碗组	Semi-Integrated Threadless Headsets	P.11 ~P.20
全隐藏式无牙碗组	Integrated Threadless Headsets	P.21 ~P.24
外置式无牙碗组	External Cup Threadless Headsets	P.25 ~P.30
外置式有牙碗组	External Cup Threaded Headsets	P.31 ~P.39
电动车专用碗组	Electric Moped	P.40 ~P.42

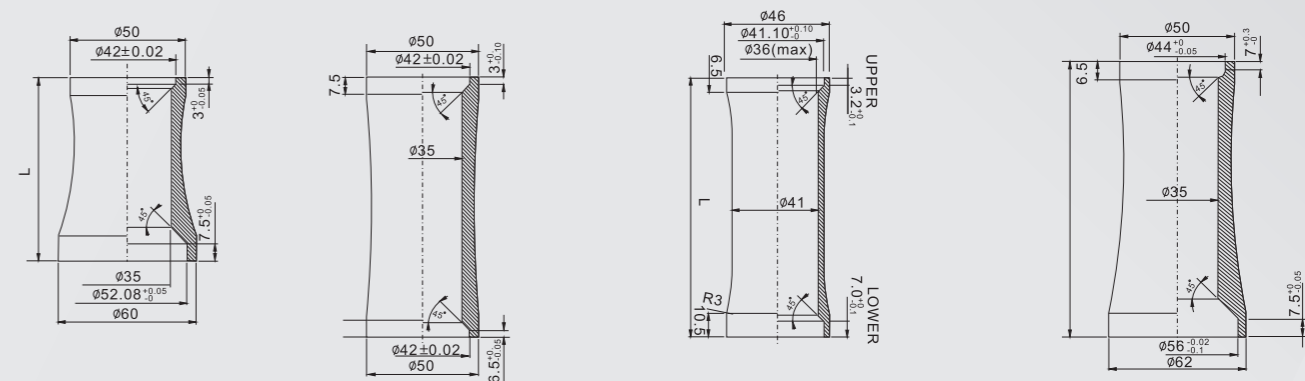
中轴组件 BOTTOM BRACKETS B.B. P.43 ~P.51

自行车中轴	Bicycle Axle	P.43~P.48
电动车中轴	Electric Moped Axle	P.49
健身车中轴	Exercise Bike Axle	P.50
五通碗组	B.B. Sets	P.51

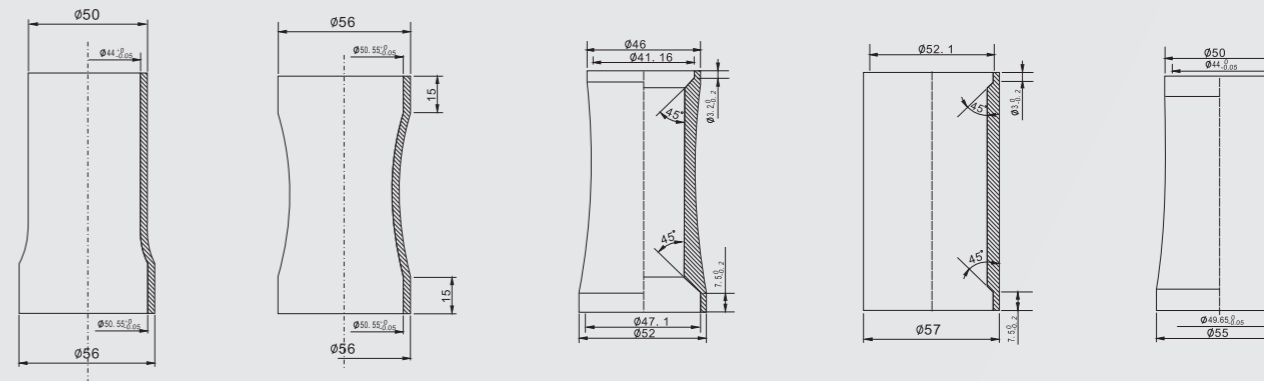
配件 ACCESSORIES P.52 ~P.53



FOR ROAD 1" and 1-1/8" STEERER XR-K29/K30; XR-K31/K32; XR-K57; XR-K58	FOR MTB 1-1/8" STEERER XR-K1/XR-K1A/K3/K5/K7/K9/ K9-1/K11/K15/K15Z/K17/K17-1/ K17Z/K19/K19Z/K21Z/K21/K23/ K37/K41/K322/K61/K62/K59/K60/ K80/K81/K51/K52 K54/K54-1/K53-1/K55/K55-1/ K80-1/K88-1/Z25/Z35 K807-1/K807/K808-2/K814/K820 K200-2/K100-Y/K400-6/K304-2 K10-6/K408/K200-6/K400-Y/K410 K200-4/K18-3/K413/K18-5	FOR MTB/ROAD/TREKKING/CITY 1-1/8" STEERER XR-W01/W-05/W05A/W05-1/W-05Z/W-07Z/ W09/W09Z/W11/W11Z/W13/W13Z/W15 W15Z/W17/W17-1/W17Z/W25/W27/W29/ W31/W33/W35/W37/W04-1/W55	FOR ROAD/MTB 1-1/8" - 1-1/4" STEERER XR-K33/K34	FOR ROAD/MTB K810
---	--	---	--	-----------------------------



FOR ROAD/MTB (Threadless integrated) 1-1/8" - 1.5 STEERER XR-K43/K44	FOR ROAD/MTB (Threadless integrated) 1-1/8" STEERER XR-K35/XR-K36/XR-K39/XR-K40/ XR-K45/XR-K46/XR-K47/XR-K48/ XR-K49/XR-K50/XR-K66-15/XR-K66-16 XR-K36-7	FOR ROAD/MTB (Threadless integrated) 1" and 1-1/8" STEERER XR-K25/XR-K26/XR-K27Z/XR-K28Z K918/K919/K920	FOR ROAD/MTB (Threadless integrated) 1-1/8" - 1.5 STEERER XR-K451/XR-K452/XR-K461/XR-K462
--	---	--	---



FOR MTB K809	FOR MTB K815	FOR ROAD/MTB K921	FOR ROAD/MTB K922	FOR MTB K812
------------------------	------------------------	-----------------------------	-----------------------------	------------------------

NEW PRODUCTS

NINGBO
HENLON BICYCLE
CO.,LED



XR-W301-7



XR-K200-2



XR-Z103-7



XR-K100-Y



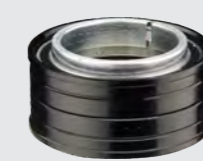
XR-K400-6



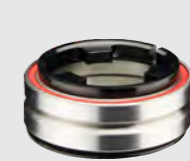
XR-K720-1



XR-K720



XR-K18-5



XR-NZX-1



XR-M2-4



XR-K304-2



XR-K10-6



XR-M2-3



XR-K408



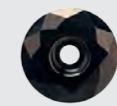
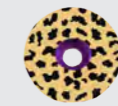
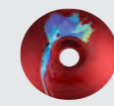
XR-K200-6



M25XP1.5



M25XP1.5



XR-K400-Y



XR-K410



XR-K200-4



XR-K18-3



XR-K36-7



XR-A01-1



XR-A01-1



XR-A01



XR-A04-274



XR-A03-270



XR-W52-2



XR-BK482-4



XR-K66-15



XR-K66-16



XR-K413



XR-A301



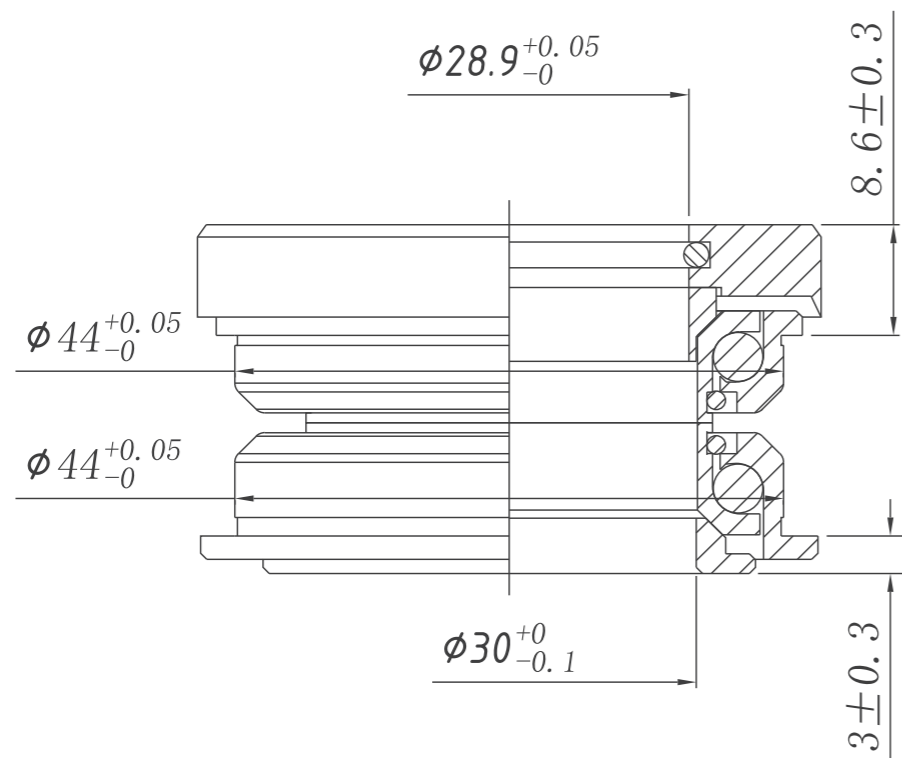
XR-A301



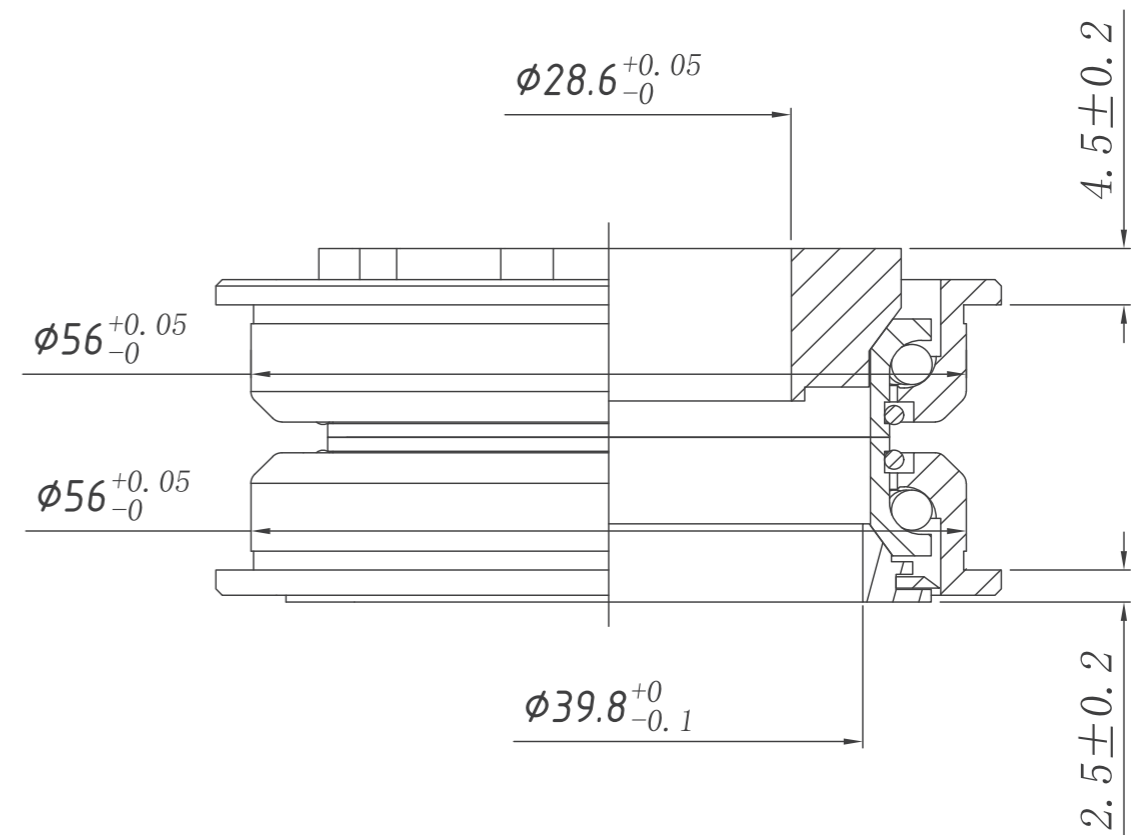
XR-A301



XR-K200-6
(1-1/8"×44×30)



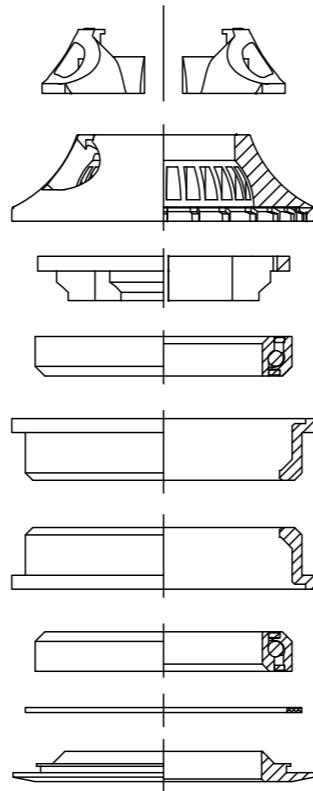
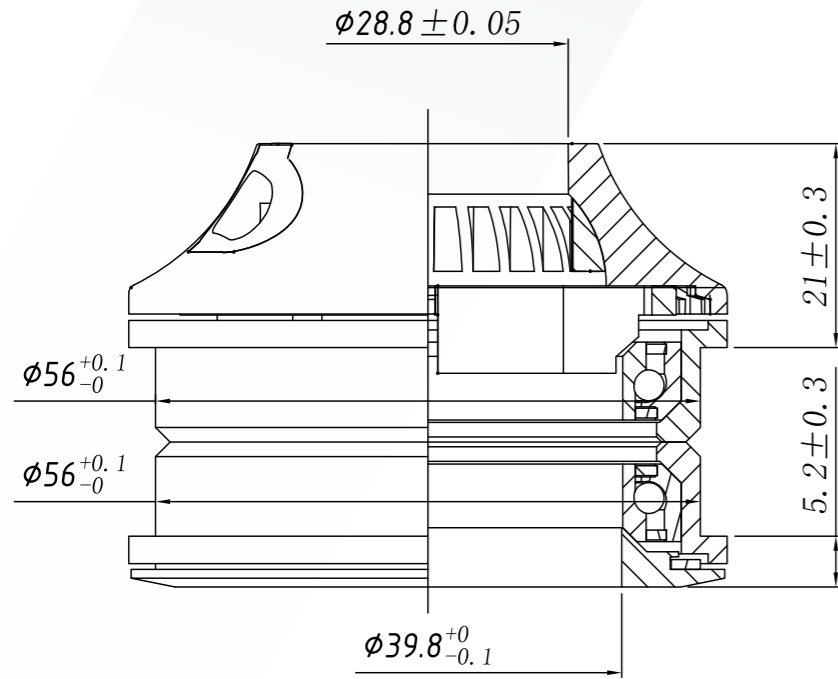
XR-K720-1
(1-1/8"×56×39.8)





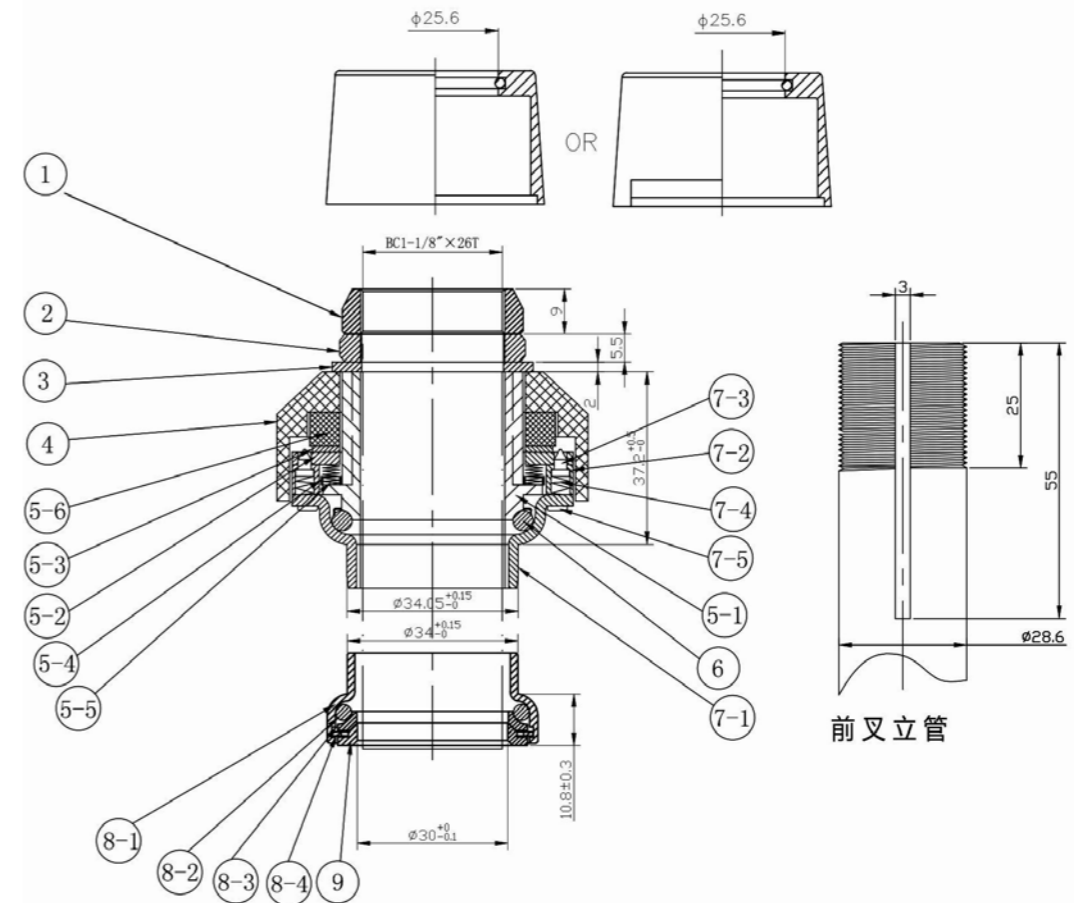
XR-NZX-2

Threadless Semi-integrated Headset
 Material : Alloy+Steel, Set of 10 pcs
 Height : 26.2 mm
 Size : 1-1/8" Threadless Semi-Integrated Headset
 With $\phi 56$ steel Cups
 Diameter : 1-1/8" $\times 56 \times 39.8$
 Finish : Anodized black or silver
 Bearings : Caged (8H $\times \phi 52 \times \phi 40 \times 45^\circ \times 45^\circ \times 2$ pcs)



XR-S100

Water-resistant
 Material : Steel, Set of 21 pcs
 Size : 1-1/8"
 Diameter : 25.4 $\times 34 \times 30$
 Height : 64.5 mm
 Finish : CP/ED black
 Weight : 294g
 Bearings : Caged (5/32" $\times 22 \times 1$ pcs)
 Caged (1/8" $\times 25 \times 1$ pcs)



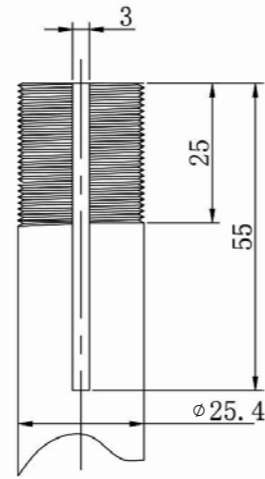
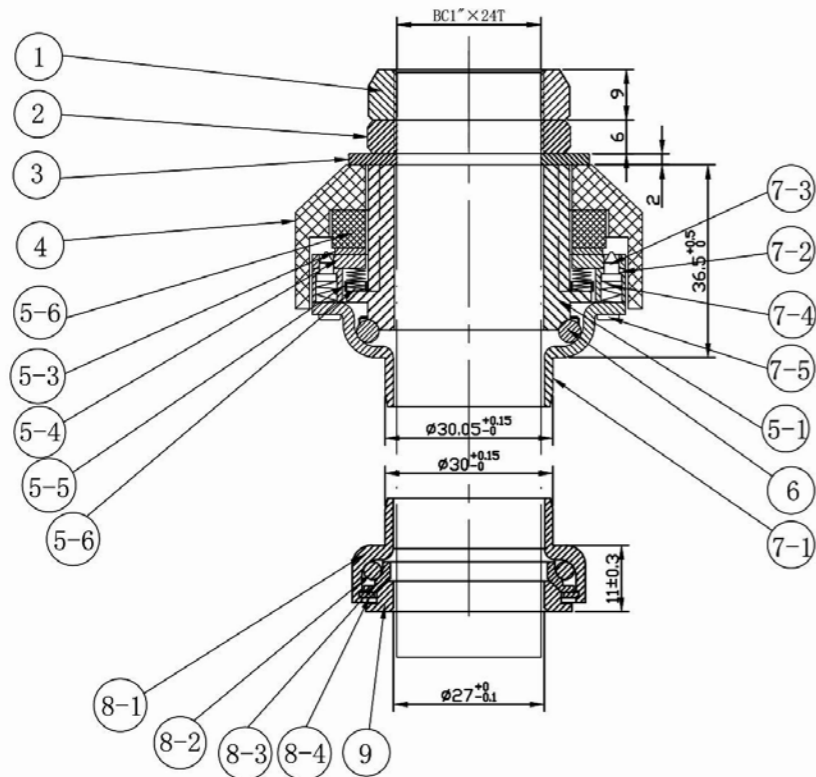
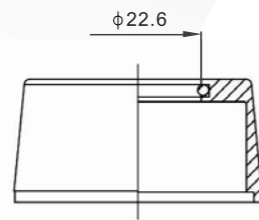
前叉立管

Tilting prevention head part,
 can effectively prevent the tilting
 of the bicycle



XR-S200

Material : Steel, Set of 21pcs
 Size : 1"
 Diameter : 22.2×30×27
 Height : 64.5 mm
 Finish : CP/ED black
 Weight : 353g
 Bearings : Caged (5/32" ×22×1pcs)
 Caged (1/8" ×24×1pcs)

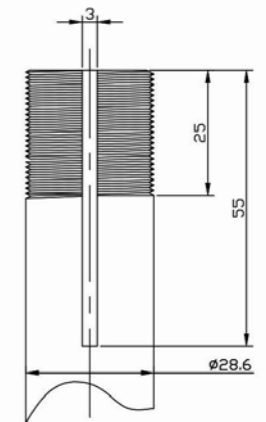
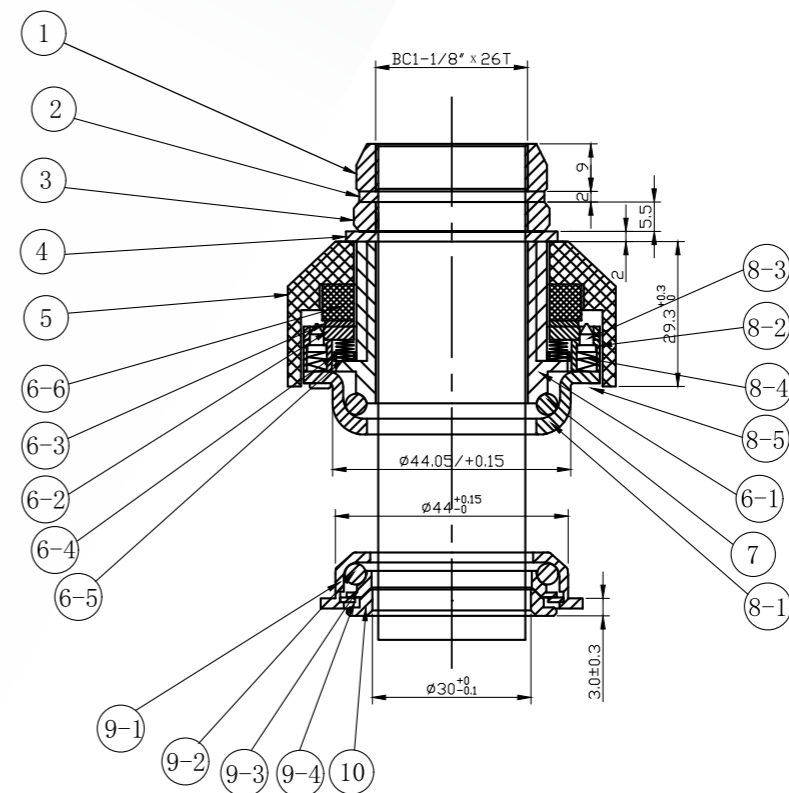
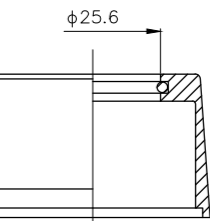


前叉立管



XR-S300

Material : Steel, Set of 21pcs
 Size : 1-1/8"
 Diameter : 25.4×44×30
 Height : 50.8 mm
 Finish : CP/ED black
 Weight : 298g
 Bearings : Caged (5/32" ×22×2pcs)



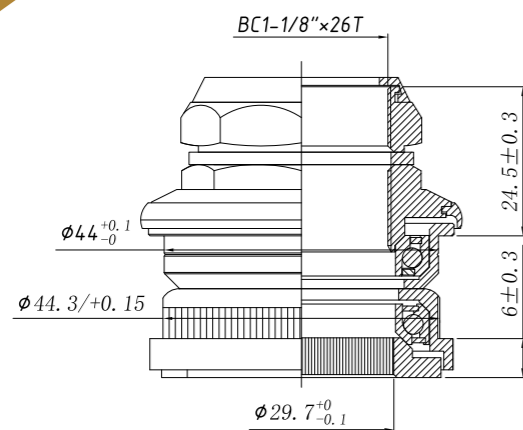
前叉立管

Tilting prevention head part,
 can effectively prevent the tilting
 of the bicycle

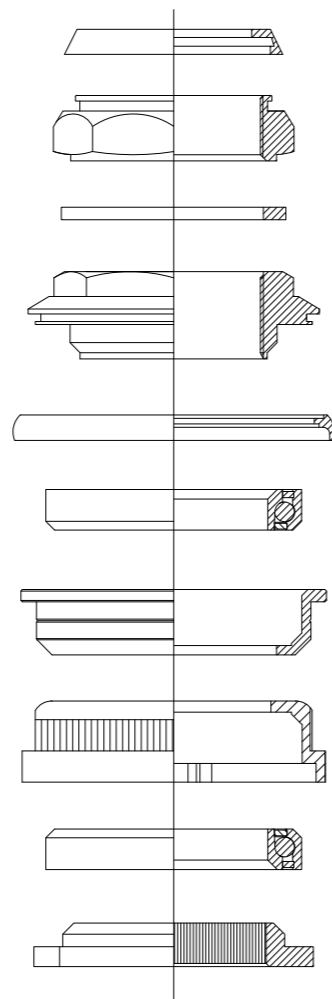
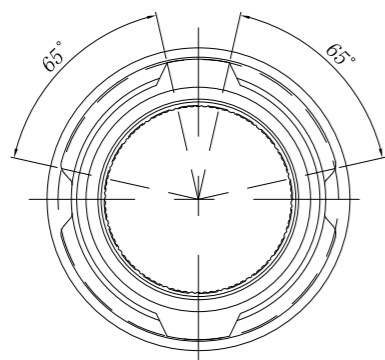


XR-K400-6

Threaded Semi-integrated Headset
 Material : Steel, Set of 10pcs
 Height : 30.5mm
 Size : 1-1/8" Threaded Semi- Integrated Heaset
 With $\phi 44$ Steel Cups
 Diameter : 25.4x44x30
 Finish : CP/ED black /Anodized black or silver
 Weight : 151g
 Bearings : Caged (6.5Hx $\phi 41$ x $\phi 30.2$ x45° x45° x2pcs)



限位130°



XR-K400-6 SAFETY 130° NEW

Threaded Semi-integrated Headset
 Material : Steel, Set of 10 pcs
 Height : 30.5mm
 Size : 1-1/8" Threaded Semi-Integrated Headset
 With $\phi 44$ steel Cups
 Diameter : 25.4x44x30
 Finish : CP/ED black/Anodized black or silver
 Weight : 151g
 Bearings : Caged (6.5Hx $\phi 41$ x $\phi 30.2$ x45°x45°x2pcs)



XR-K400 SAFETY 130°

Threaded Semi-integrated Headset
 Material : Steel, Set of 9pcs
 Height : 28.5mm
 Size : 1-1/8" Threaded Semi-Integrated
 Headset With $\phi 44$ Steel Cups
 Diameter : 25.4x44x30
 Finish : CP/ED black
 Weight : 167g
 Bearings : Caged(5/32"x20x2pcs)



XR-K402 SAFETY 180°

Threaded Semi-integrated Headset
 Material : Steel, Set of 9pcs
 Height : 28.5mm
 Size : 1-1/8" Threaded Semi-Integrated
 Headset With $\phi 44$ Steel Cups
 Diameter : 25.4x44x30
 Finish : CP/ED black
 Weight : 163g
 Bearings : Caged(5/32"x20x2pcs)



XR-K601

Threaded Semi-integrated Headset
 Material : Alloy+Steel, set of 6pcs
 Height : 32.5mm
 Size : 1-1/8" Threadless
 Diameter : 1-1/8" x 41.4x30
 Finish : CP/ED black
 Weight : 143g
 Bearings : Caged(1/8"x25x2pcs)



XR-K57A

Threaded Semi-Integrated Headset
 Material : Alloy+Steel, Set of 20pcs
 Height : 32 mm
 Size : 1" Threaded Semi-Integrated Headset
 With $\phi 41.4$ Steel Cups
 Diameter : 22.2x41.4x27
 Finish : CP/ED black
 Weight : 198g
 Bearings : Caged (1/8"x25x2pcs)

**XR-K100-Y****NEW**

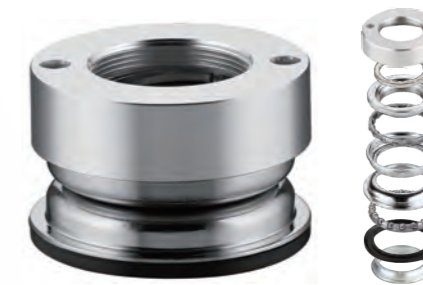
Threaded Semi-integrated Headset
 Material : Steel, Set of 11 pcs
 Height : 27.5mm
 Size : 1-1/8" Threaded Semi-Integrated Headset
 With ϕ 44 steel Cups
 Diameter : 25.4x44x30
 Finish : CP/ED black
 Weight : 152g
 Bearings : Caged (5/32"x20x2pcs)

**XR-K403**

Material : Steel, Set of 9pcs
 Height : 26.5mm
 Size : 1-1/8" Threaded Semi-Integrated Headset With ϕ 44 Steel Cups
 Diameter : 25.4x44x30
 Finish : CP/ED black
 Weight : 149g
 Bearings : Caged (5/32"x20x2pcs)

**XR-K53-2**

Material : Steel, Set of 9pcs
 Height : 19mm
 Size : 1-1/8"
 Diameter : 1-1/8" x44x30
 Finish : CP/ED black Anodized black or silver
 Weight : 123g
 Bearings : Caged (5/32"x20x2pcs)

**XR-K53**

Threaded Semi-Integrated Headset
 Material : Steel, Set of 9pcs
 Size : 1-1/8"
 Diameter : 1-1/8" x44x30
 Height : 19.5mm
 Finish : CP/ED black Anodized black or silver
 Weight : 122g
 Bearings : Caged (5/32" x20x2pcs)

**XR-K410**

SAFETY 130

NEW

Threaded Semi-integrated Headset
 Material : Steel, Set of 8 pcs
 Height : 19.5mm
 Size : 1-1/8" Threaded Semi-Integrated Headset
 With ϕ 44 steel Cups
 Diameter : 1-1/8"x44x30
 Finish : CP/ED black
 Weight : 131g
 Bearings : Caged (5/32"x20x2pcs)

**XR-K408**

SAFETY 130

NEW

Threaded Semi-integrated Headset
 Material : Steel, Set of 10 pcs
 Height : 27.2mm
 Size : 1-1/8" Threaded Semi-Integrated Headset
 With ϕ 44 steel Cups
 Diameter : 25.4x44x30
 Finish : CP/ED black
 Weight : 153g
 Bearings : Caged (5/32"x20x2pcs)

**XR-K52**

Threaded Semi-Integrated Headset
 Material : Steel, Set of 9pcs
 Size : 1-1/8"
 Diameter : 1-1/8" x44x30
 Height : 18mm
 Finish : CP/ED black
 Weight : 159g
 Bearings : Caged (5/32" x20x2pcs)

**XR-K302**

Material : Alloy, Set of 8pcs
 Height : 21mm
 Size : 1-1/8"
 Diameter : 1-1/8" x44x30
 Finish : CP/ED black Anodized black or silver
 Weight : 134g
 Bearings : Sealed Caged (6.5 Hx ϕ 41 x ϕ 30.2x45"x45"x2pcs)

**XR-K400-Y**

SAFETY 130

NEW

Threaded Semi-integrated Headset
 Material : Steel, Set of 8 pcs
 Height : 21.5mm
 Size : 1-1/8" Threaded Semi-Integrated Headset
 With ϕ 44 steel Cups
 Diameter : 1-1/8" x44x30
 Finish : CP/ED black
 Weight : 145g
 Bearings : Caged (5/32"x20x2pcs)

**XR-K2-Y**

Threaded Semi-Integrated Headset
 Material : Alloy+Steel, Set of 8 pcs
 Height : 20mm
 Size : 1-1/8"
 Diameter : 1-1/8" X 44X30
 Finish : CP/ED black
 Weight : 129g
 Bearings : Caged (5/32" X20X2pcs)

**XR-K304-2****NEW**

Threaded Semi-integrated Headset
 Material : Steel, Set of 10 pcs
 Height : 27mm
 Size : 1-1/8" Threaded Semi-integrated Headset
 With ϕ 44 steel Cups
 Diameter : 25.4x44x30
 Finish : CP/ED black/Anodized black or silver
 Weight : 144g
 Bearings : Caged (6.5H x ϕ 41 x ϕ 30.2x45"x45"x2pcs)

**XR-K200-2****NEW**

Threaded Semi-integrated Headset
 Material : Steel, Set of 16 pcs
 Height : 27.5mm
 Size : 1-1/8" Threaded Semi-integrated Headset
 With ϕ 44 steel Cups
 Diameter : 1-1/8"x44x30
 Finish : CP/ED black
 Weight : 167g
 Bearings : 5/32" balls

**XR-K31/XR-K32**

Threaded Semi-Integrated Headset
 Material : Steel, Set of 14pcs
 Height : 29mm
 Size : 1" Threaded Semi-Integrated Headset
 With $\phi 41.4$ Steel Cups
 Diameter : 22.2x41.4x27
 Finish : CP/ED black
 Weight : 146g
 Bearings : Caged (1/8" x 25x2pcs)

**XR-K54-1**

Threaded Semi-Integrated Headset
 Material : Steel, Set of 9pcs
 Height : 22.5mm
 Size : 1-1/8" Threaded Semi-Integrated Headset
 With $\phi 44$ Steel Cups
 Diameter : 25.4x44x30
 Finish : CP/ED black
 Weight : 137g
 Bearings : Caged (5/32" x 20x2pcs)

**XR-K1A/XR-K2A**

Threaded Semi-Integrated Headset
 Material : Alloy+Steel, set of 11pcs
 Height : 26.5mm
 Size : 1-1/8" Threaded Semi-Integrated Headset
 With $\phi 44$ Steel Cups
 Diameter : 25.4x44x30
 Finish : Anodized black or silver
 Weight : 167g
 Bearings : Caged (5/32" x 20x2pcs)

**XR-K10-6**

Threaded Semi-Integrated Headset
 Material : Steel, Set of 15 pcs
 Height : 26.5mm
 Size : 1-1/8" Threaded Semi-Integrated Headset
 With $\phi 44$ steel Cups
 Diameter : 22.2x44x30
 Finish : CP/ED black
 Weight : 174g
 Bearings : Caged (5/32" x 22x2pcs)

**XR-K54**

Threaded Semi-Integrated Headset
 Material : Steel, Set of 9pcs
 Height : 25mm
 Size : 1-1/8" Threaded Semi-Integrated Headset
 With $\phi 44$ Steel Cups
 Diameter : 25.4x44x30
 Finish : CP/ED black
 Weight : 140g
 Bearings : Caged (5/32" x 20x2pcs)

**XR-K1/XR-K2**

Threaded Semi-Integrated Headset
 Material : Steel, Set of 10pcs
 Height : 26.5mm
 Size : 1-1/8" Threaded Semi-Integrated Headset
 With $\phi 44$ Steel Cups
 Diameter : 25.4x44x30
 Finish : CP/ED black
 Weight : 144g
 Bearings : Caged (5/32" x 20x2pcs)

**XR-K1A-TB/XR-K2A-TB**

Threaded Semi-Integrated Headset
 Material : Alloy+Steel, set of 11pcs
 Height : 26.5mm
 Size : 1-1/8" Threaded Semi-Integrated Headset
 With $\phi 44$ Steel Cups
 Diameter : 25.4x44x30
 Finish : Anodized black or silver
 Weight : 162g
 Bearings : Caged (5/32" x 20x2pcs)

**XR-K9/XR-K10**

Threaded Semi-Integrated Headset
 Material : Steel, Set of 13pcs
 Height : 24mm
 Size : 1-1/8" Threaded Semi-Integrated Headset
 With $\phi 44$ Steel Cups
 Diameter : 25.4x44x30
 Finish : CP/ED black
 Weight : 173g
 Bearings : Caged (5/32" x 22x2pcs)

**XR-K9-1/XR-K10-1**

Threaded Semi-Integrated Headset
 Material : Steel, Set of 12pcs
 Height : 23mm
 Size : 1-1/8" Threaded Semi-Integrated Headset
 With $\phi 44$ Steel Cups
 Diameter : 25.4x44x30
 Finish : CP/ED black
 Weight : 147g
 Bearings : Caged (5/32" x 22 x 1pcs)
 Caged (5/32" x 20 x 1pcs)

**XR-K23/XR-K24**

Threaded Semi-Integrated Headset
 Material : Steel+Alloy, Set of 10pcs
 Height : 24.5mm
 Size : 1-1/8" Threaded Semi-Integrated Headset
 With $\phi 44$ Steel Cups
 Diameter : 25.4x44x30
 Finish : Anodized black or silver
 Weight : 170g
 Bearings : Caged (5/32" x 20x2pcs)

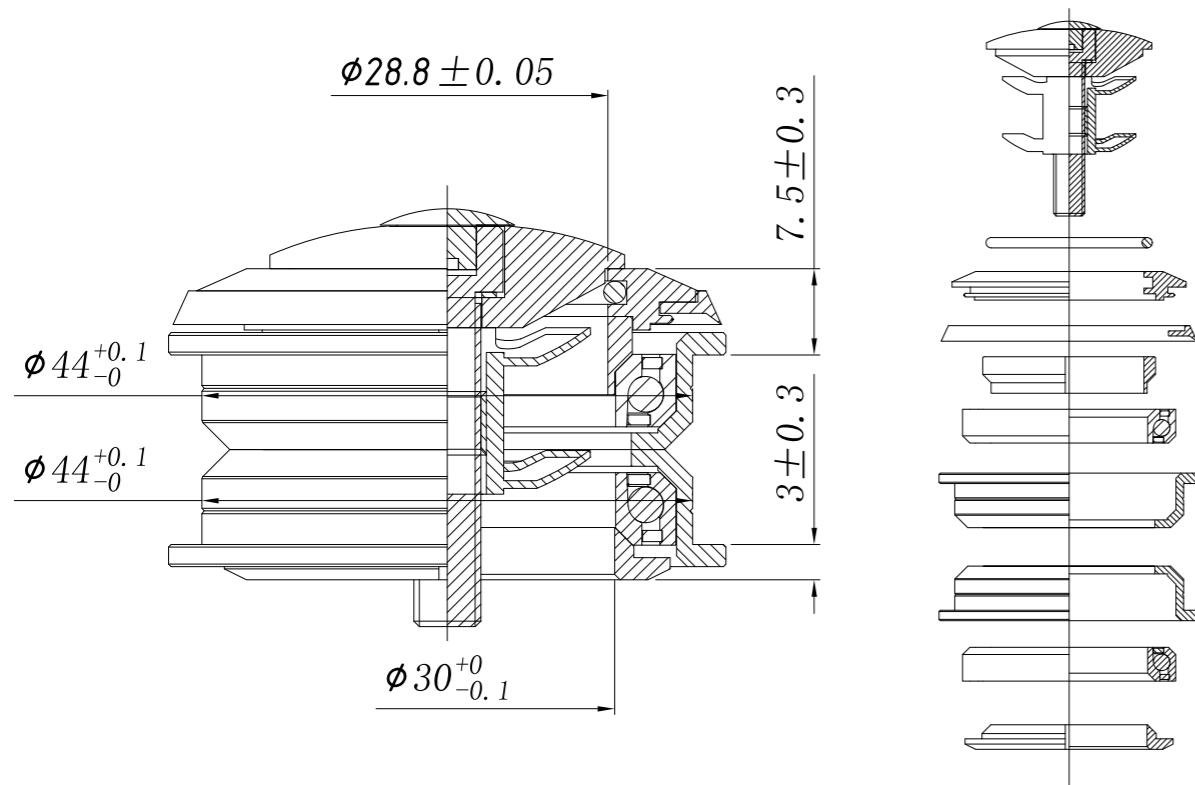
**XR-K1-1/XR-K2-1****($\phi 25.4 \times \phi 44 \times \phi 30$)**

Threaded Semi-Integrated Headset
 Material : Steel, Set of 11pcs
 Height : 25.5mm
 Size : 1-1/8" Threaded Semi-Integrated Headset
 With $\phi 44$ Steel Cups
 Diameter : 25.4x44x30
 Finish : Anodized black or silver
 Weight : 145g
 Bearings : Caged (5/32" x 20x2pcs)



XR-K17-1/XR-K18-1

Threadless Semi-integrated Headset
 Material : Alloy, Set of 10pcs
 Height : 10.5mm
 Size : 1-1/8" Threadless Semi- Integrated Head Set with $\varnothing 44$ Steel Cups
 Diameter : 1-1/8" x44x30
 Finish : Anodized black or silver
 Weight : 100g
 Bearings : Sealed cartridge (6.5Hx $\varnothing 41$ x $\varnothing 30.2$ x45° x45° x2pcs)



XR-K200-4

NEW

Threadless Semi-integrated Headset
 Material : Steel, Set of 12 pcs
 Height : 11.6 mm
 Size : 1-1/8" Threadless Semi-integrated Headset With $\varnothing 44$ steel Cups
 Diameter : 1-1/8" x 44x30
 Finish : CP/ED black
 Weight : 123g
 Bearings : Caged (5/32" Balls)



XR-K200-6

NEW

Threadless Semi-integrated Headset
 Material : Steel, Set of 12 pcs
 Height : 11.6 mm
 Size : 1-1/8" Threadless Semi-integrated Headset With $\varnothing 44$ steel Cups
 Diameter : 1-1/8" x 44x30
 Finish : CP/ED black
 Weight : 126g
 Bearings : Caged (5/32" Balls)



XR-K18-3

NEW

Threadless Semi-integrated Headset
 Material : Alloy+Steel, Set of 10 pcs
 Height : 9.6 mm
 Size : 1-1/8" Threadless Semi-Integrated Headset With $\varnothing 44$ steel Cups
 Diameter : 1-1/8" x 44x30
 Finish : Anodized black or silver
 Weight : 152g
 Bearings : Caged (6.5Hx $\varnothing 41$ x $\varnothing 30.2$ x45° x45° x2pcs)



XR-K61

Threadless Semi-Integrated Headset
 Material : Alloy+Steel, Set of 11 pcs
 Height : 23.5 mm
 Size : 1-1/8" Threadless Semi-Integrated Headset With $\varnothing 44$ Steel Cups
 Diameter : 1-1/8" x 44x30
 Finish : Anodized black or silver
 Weight : 150g
 Bearings : Caged (5/32" x 20x2pcs)



XR-K59

Threadless Semi-Integrated Headset
 Material : Alloy+Steel, Set of 14 pcs
 Height : 14 mm
 Size : 1-1/8" Threadless Semi-Integrated Headset With $\varnothing 44$ Steel Cups
 Diameter : 1-1/8" x 44x30
 Finish : Anodized black or silver
 Weight : 143g
 Bearings : Caged (5/32" x 22x2pcs)



XR-K60

Threadless Semi-Integrated Headset
 Material : Alloy, Set of 10 pcs
 Height : 14 mm
 Size : 1-1/8" Threadless Semi-Integrated Headset With $\varnothing 44$ Steel Cups
 Diameter : 1-1/8" x 44x30
 Finish : Anodized black or silver
 Weight : 79g
 Bearings : Sealed cartridge. (6.5Hx $\varnothing 41$ x $\varnothing 30.2$ x45° x45° x2pcs)

**XR-Z25**

Threadless Semi-Integrated Headset
 Material : Steel, Set of 13pcs
 Height : 22mm
 Size : 1-1/8" Threadless Semi-Integrated Headset With $\phi 44$ Steel Cups
 Diameter : 1-1/8" X44X30
 Finish : CP/ED black
 Weight : 136g
 Bearings : Caged (5/32" X22X2pcs)

**XR-K3/XR-K4**

Threadless Semi-Integrated Headset
 Material : Steel, Set of 10pcs
 Height : 9mm
 Size : 1-1/8" Threadless Semi-Integrated Headset With $\phi 44$ Steel Cups
 Diameter : 1-1/8" X44X30
 Finish : CP/ED black
 Weight : 122g
 Bearings : Caged (5/32" X20X2pcs)

**XR-K503**

Threadless Semi-Integrated Headset
 Material : Alloy+Steel, Set of 12pcs
 Height : 15mm
 Size : 1-1/8"
 Diameter : 1-1/8" X 44 X 30
 Finish : CP/ED black
 Weight : 140g
 Bearings : Caged (5/32" X20X2pcs)

**XR-Z21**

Threadless Semi-Integrated Headset
 Material : Alloy+Steel, Set of 10pcs
 Height : 9mm
 Size : 1-1/8" Threadless Semi-Integrated Headset With $\phi 44$ Steel Cups
 Diameter : 1-1/8" X44X30
 Finish : CP/ED black
 Weight : 92g
 Bearings : Caged (5/32" X20X2pcs)

**XR-Z35**

Threadless Semi-Integrated Headset
 Material : Alloy+Steel, Set of 13pcs
 Height : 23mm
 Size : 1-1/8" Threadless Semi-Integrated Headset With $\phi 44$ Steel Cups
 Diameter: 1-1/8" X44X30
 Finish : CP/ED black
 Weight : 127g
 Bearings: Caged (5/32" X20X2pcs)

**XR-K3-1/XR-K4-1**

Threadless Semi-Integrated Headset
 Material : Alloy+Steel, Set of 10pcs
 Height : 23mm
 Size : 1-1/8" Threadless Semi-Integrated Headset With $\phi 44$ Steel Cups
 Diameter : 1-1/8" X44X30
 Finish : CP/ED black
 Weight : 143g
 Bearings : Caged (5/32" X20X2pcs)

**XR-K21/XR-K22**

Threadless Semi-Integrated Headset
 Material : Alloy+Steel, Set of 10pcs
 Height : 21.1mm
 Size : 1-1/8" Threadless Semi-Integrated Headset With $\phi 44$ Steel Cups
 Diameter : 1-1/8" X44X30
 Finish : Anodized black or silver
 Weight : 168g
 Bearings : Sealed cartridge.
 (6.5H X $\phi 41$ X $\phi 30.2$ X 45° X 45° X 2pcs)

**XR-K51**

(Same as XR-K15-1/XR-K16-1)

Threadless Semi-Integrated Headset
 Material : Alloy+Steel, Set of 13pcs
 Height : 9mm
 Size : 1-1/8" Threadless Semi-Integrated Headset With $\phi 44$ Steel Cups
 Diameter : 1-1/8" X44 X 30
 Finish : Anodized black or silver
 Weight : 134g
 Bearings : Caged (5/32" X22 X2pcs)

**XR-K17-1/XR-K18-1**

Threadless Semi-Integrated Headset
 Material : Alloy, set of 10pcs
 Height : 10.5mm
 Size : 1-1/8" Threadless Semi-Integrated Headset With $\phi 44$ Steel Cups
 Diameter : 1-1/8" X44 X 30
 Finish : Anodized black or silver
 Weight : 100g
 Bearings : Sealed cartridge.
 (6.5H X $\phi 41$ X $\phi 30.2$ X 45° X 45° X 2pcs)

**XR-K17/XR-K18**

Threadless Semi-Integrated Headset
 Material : Alloy+Steel, Set of 10pcs
 Height : 10.5mm
 Size : 1-1/8" Threadless Semi-Integrated Headset With $\phi 44$ Steel Cups
 Diameter : 1-1/8" X44X30
 Finish : Anodized black or silver
 Weight : 147g
 Bearings : Sealed cartridge.
 (6.5H X $\phi 41$ X $\phi 30.2$ X 45° X 45° X 2pcs)

**XR-K62**

(Same as XR-K11/XR-K-12)

Threadless Semi-Integrated Headset
 Material : Alloy+Steel, Set of 10pcs
 Height : 11mm
 Size : 1-1/8" Threadless Semi-Integrated Headset With $\phi 44$ Steel Cups
 Diameter : 1-1/8" X44X30
 Finish : CP/ED black
 Weight : 116g
 Bearings : Caged (5/32" X20X2pcs)

**XR-K19/XR-K20**

Threadless Semi-Integrated Headset
 Material : Alloy+Steel, Set of 14pcs
 Height : 22mm
 Size : 1-1/8" Threadless Semi-Integrated Headset With $\phi 44$ Steel Cups
 Diameter : 1-1/8" X44X30
 Finish : Anodized black or silver
 Weight : 154g
 Bearings : Caged (5/32" X22X2pcs)

**XR-K602**

Material : Alloy+Steel, set of 7pcs
 Height : 32.5mm
 Size : 1-1/8" Threadless
 Diameter : 1-1/8" x41.4x30
 Finish : CP/ED black
 Weight : 134.5g
 Bearings : Caged (1/8" x25x2pcs)

**XR-K10-Y**

Material : Alloy+Steel, Set of 13pcs
 Height : 8.5mm
 Size : 1" Threadless Semi-Integrated Headset
 With $\varnothing 44$ Steel Cups
 Diameter: 1" X44X27
 Finish : Anodized black or silver
 Weight : 135g
 Bearings : Caged (5/32" X22X2pcs)

**XR-K15/XR-K16**

Material : Alloy+Steel, Set of 14pcs
 Height : 9.5mm
 Size : 1-1/8" Threadless Semi-Integrated Headset
 With $\varnothing 44$ Steel Cups
 Diameter : 1-1/8" x44x30
 Finish : Anodized black or silver
 Weight : 136g
 Bearings : Caged (5/32" x22x2pcs)

**XR-K413** *NEW*

Material : Steel, Set of 9 pcs
 Height : 5.5mm
 Size : 1-1/8" Threadless Semi-integrated Headset
 With $\varnothing 44$ steel Cups
 Diameter : 1-1/8" x44x30
 Finish : CP/ED black
 Weight : 114g
 Bearings : Caged (5/32" x22x2pcs)

**XR-K18-Y**

Material : Alloy, Set of 9pcs
 Height : 11.5mm
 Size : 1" Threadless Semi-Integrated Headset
 With $\varnothing 44$ Steel Cups
 Diameter : 1" X44X27
 Finish : Anodized black or silver
 Weight : 106g
 Bearings : Sealed Bearings
 (6.5HX $\varnothing 41$ X $\varnothing 30.2$ X45° X45° X2pcs)

**XR-K37/XR-K38**

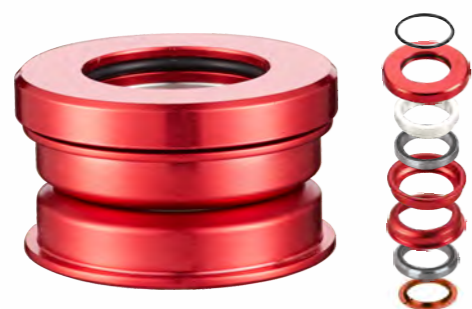
Material : Alloy, Set of 10pcs
 Size : 1 1/8"
 Diameter : 1-1/8" x44x30
 Height : 16mm
 Finish : Anodized black or silver
 Weight : 104g
 Bearings : Sealed Bearings
 (6.5HX $\varnothing 41$ X $\varnothing 30.2$ X45° X45° X2pcs)

**XR-K720** *NEW*

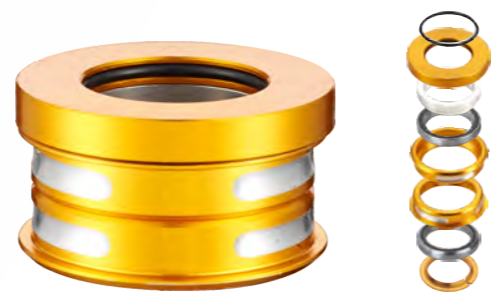
Material : Alloy+Steel, Set of 7 pcs
 Height : 6.8 mm
 Size : 1-1/8" Threadless Semi-integrated Headset
 With $\varnothing 56$ steel Cups
 Diameter : 1-1/8" x56x39.8
 Finish : Anodized black or silver
 Weight : 121g
 Bearings : Caged (8H x $\varnothing 52$ x $\varnothing 40$ x45° x45° x2pcs)

**XR-K720-1** *NEW*

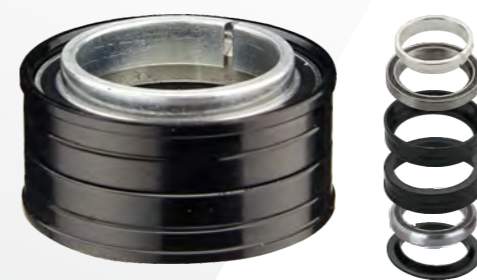
Material : Alloy+Steel, Set of 11 pcs
 Height : 7 mm
 Size : 1-1/8" Threadless Semi-integrated Headset
 With $\varnothing 56$ steel Cups
 Diameter : 1-1/8" x56x39.8
 Finish : CP/ED black
 Weight : 163 g
 Bearings : Caged (1/8" Balls)

**XR-K55**

Material : Alloy, Set of 8pcs
 Height : 12.1mm
 Size : 1-1/8" Threadless Semi-Integrated Headset
 With $\varnothing 44$ Steel Cups
 Diameter : 1-1/8" X44X30
 Finish : Anodized black or silver
 Weight : 84g
 Bearings : Sealed cartridge
 (6.5HX $\varnothing 41$ X $\varnothing 30.2$ X45° X45° X2pcs)

**XR-K55-1**

Material : Alloy, Set of 8pcs
 Height : 12.1mm
 Size : 1-1/8" Threadless Semi-Integrated Headset
 With $\varnothing 44$ Steel Cups
 Diameter : 1-1/8" X44X30
 Finish : Anodized black or silver
 Weight : 74g
 Bearings : Sealed cartridge
 (6.5HX $\varnothing 41$ X $\varnothing 30.2$ X45° X45° X2pcs)

**XR-K18-5** *NEW*

Material : Alloy+Steel, Set of 6 pcs
 Height : 5.9 mm
 Size : 1-1/8" Threadless Semi-integrated Headset
 With $\varnothing 44$ steel Cups
 Diameter : 1-1/8" x44x28.8
 Finish : Anodized black or silver
 Weight : 61g
 Bearings : Caged (6.5H x $\varnothing 41$ x $\varnothing 30.2$ x45° x45° x2pcs)

**XR-BK482-4** *NEW*

Material : Steel, Set of 9 pcs
 Height : 7.5mm
 Size : 1-1/2" Threadless Semi-integrated Headset
 With $\varnothing 55$ steel Cups
 Diameter : 1-1/2" x55x39.8
 Finish : CP/ED black
 Weight : 165g
 Bearings : Caged (5/32" x27x2pcs)

**XR-K80**

Threadless Semi-Integrated Headset
 Material : Alloy , Set of 10pcs
 Height : 26.5mm
 Size : 1-1/8" Threadless Semi-Integrated Headset
 With $\varnothing 44$ Steel Cups
 Diameter : 1-1/8" $\times 44 \times 30$
 Finish : Anodized black or silver
 Weight : 91g
 Bearings : Sealed cartridge.
 (6.5H $\times \varnothing 41 \times \varnothing 30.2 \times 45^\circ \times 45^\circ \times 2$ pcs)

**XR-K80-1**

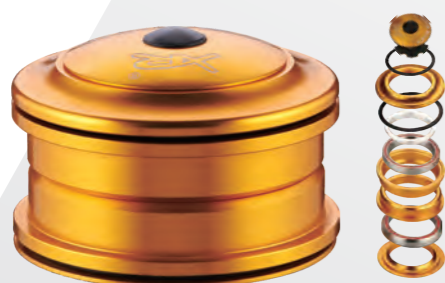
Threadless Semi-Integrated Headset
 Material : Alloy , Set of 10pcs
 Height : 26.5mm
 Size : 1-1/8" Threadless Semi-Integrated Headset
 With $\varnothing 44$ Steel Cups
 Diameter : 1-1/8" $\times 44 \times 30$
 Finish : Anodized black or silver
 Weight : 91g
 Bearings : Sealed cartridge.
 (6.5H $\times \varnothing 41 \times \varnothing 30.2 \times 45^\circ \times 45^\circ \times 2$ pcs)

**XR-K88**

Threadless Semi-Integrated Headset
 Material : Alloy , Set of 9pcs
 Height : 24 mm
 Size : 1-1/8" Threadless Semi-Integrated Headset
 With $\varnothing 44$ Steel Cups
 Diameter : 1-1/8" $\times 44 \times 30$
 Finish : Anodized black or silver
 Weight : 90g
 Bearings : Sealed cartridge.
 (6.5H $\times \varnothing 41 \times \varnothing 30.2 \times 45^\circ \times 45^\circ \times 2$ pcs)

**XR-K88-1**

Threadless Semi-Integrated Headset
 Material : Alloy , Set of 9pcs
 Height : 24 mm
 Size : 1-1/8" Threadless Semi-Integrated Headset
 With $\varnothing 44$ Steel Cups
 Diameter : 1-1/8" $\times 44 \times 30$
 Finish : Anodized black or silver
 Weight : 93g
 Bearings : Sealed cartridge.
 (6.5H $\times \varnothing 41 \times \varnothing 30.2 \times 45^\circ \times 45^\circ \times 2$ pcs)

**XR-K99**

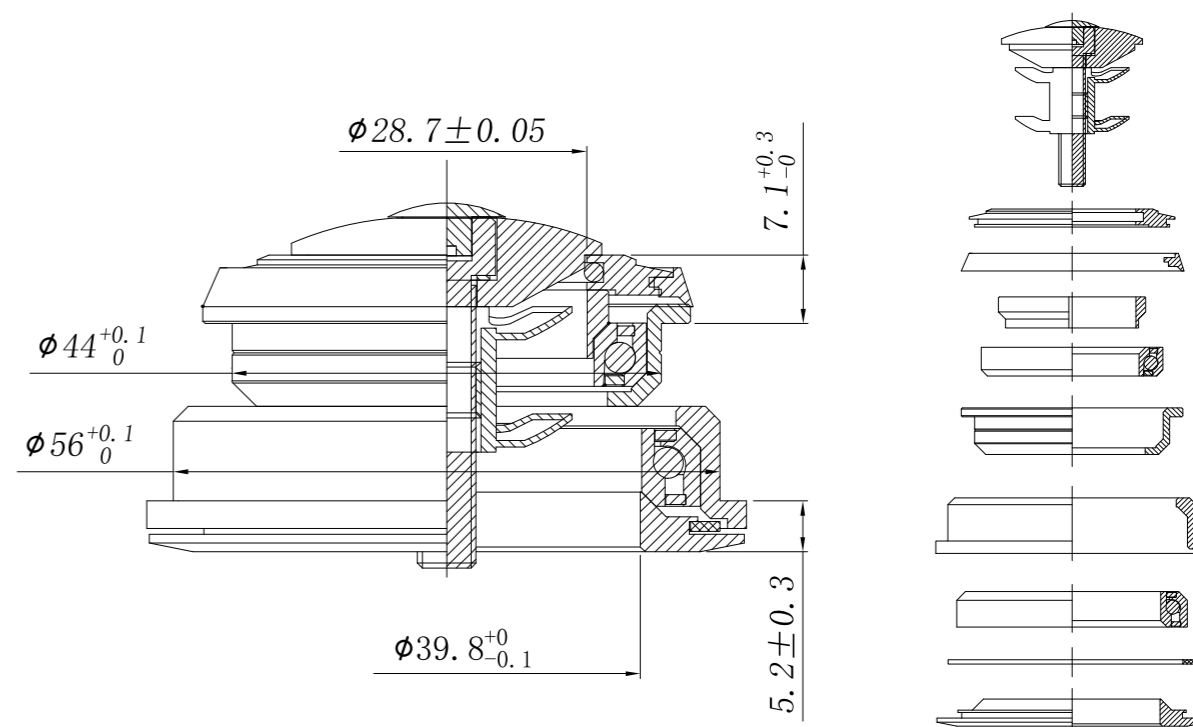
Threadless Semi-Integrated Headset
 Material : Alloy , Set of 9pcs
 Height : 15mm
 Size : 1-1/2" Threadless Semi-Integrated Headset
 With $\varnothing 56$ Steel Cups
 Diameter : 1-1/4" $\times 56 \times 39.8$
 Finish : Anodized black or silver
 Weight : 186g
 Bearings : Sealed cartridge.
 (8H $\times \varnothing 52 \times \varnothing 40 \times 45^\circ \times 45^\circ \times 2$ pcs)

**XR-K401 SAFETY 130°**

Material : Steel+Alloy,Set of 8pcs
 Height : 25.5mm
 Size : 1-1/8" Threadless Semi-Integrated
 Headset With $\varnothing 44$ Steel Cups
 Diameter : 1-1/8" $\times 44 \times 30$
 Finish : CP/ED black
 Weight : 174g
 Bearings : Sealed cartridge(6.5H $\times \varnothing 41 \times \varnothing 30.2 \times 45^\circ \times 45^\circ \times 1$ pcs)
 Caged(5/32" $\times 20 \times 1$ pcs)

XR-K451

Threadless Semi-integrated Headset
 Material : Alloy , Set of 10pcs
 Height : 12.3mm
 Size : 1-1/8" Threadless Semi-integrated Headset
 With $\varnothing 44$ Steel Cups
 Diameter : 1-1/8" $\times \varnothing 44 \times \varnothing 56 \times 39.8$
 Finish : Anodized black or silver
 Weight : 130g
 Bearings : Sealed Cartridge
 (6.5H $\times \varnothing 41 \times \varnothing 30.2 \times 45^\circ \times 45^\circ \times 1$ pcs)
 (8H $\times \varnothing 52 \times \varnothing 40 \times 45^\circ \times 45^\circ \times 1$ pcs)



**XR-K451-1**

Threadless Semi-Integrated Headset
 Material : Alloy , Set of 10 pcs
 Height : 25.2mm
 Size : 1-1/8" Threadless Semi-Integrated Headset
 With $\varnothing 44$ Steel Cups
 Diameter : 1-1/8" X $\varnothing 44$ X $\varnothing 56$ X $\varnothing 39.8$
 Finish : Anodized black or silver
 Weight : 149g
 Bearings : Sealed cartridge.
 (6.5H X $\varnothing 41$ X $\varnothing 30.2$ X 45° X 45° X 1 pcs)
 (8H X $\varnothing 52$ X $\varnothing 40$ X 45° X 45° X 1 pcs)

**XR-K451**

Threadless Semi-Integrated Headset
 Material : Alloy , Set of 10 pcs
 Height : 12.3 mm
 Size : 1-1/8" Threadless Semi-Integrated Headset
 With $\varnothing 44$ Steel Cups
 Diameter : 1-1/8" X $\varnothing 44$ X $\varnothing 56$ X $\varnothing 39.8$
 Finish : Anodized black or silver
 Weight : 130g
 Bearings : Sealed cartridge.
 (6.5H X $\varnothing 41$ X $\varnothing 30.2$ X 45° X 45° X 1 pcs)
 (8H X $\varnothing 52$ X $\varnothing 40$ X 45° X 45° X 1 pcs)

**XR-K452-1**

Threadless Semi-Integrated Headset
 Material : Alloy , Set of 10 pcs
 Height : 25.2mm
 Size : 1-1/8" Threadless Semi-Integrated Headset
 With $\varnothing 44$ Steel Cups
 Diameter : 1-1/8" X $\varnothing 44$ X $\varnothing 56$ X $\varnothing 30$
 Finish : Anodized black or silver
 Weight : 159g
 Bearings : Sealed cartridge.
 (6.5H X $\varnothing 41$ X $\varnothing 30.2$ X 45° X 45° X 1 pcs)
 (8H X $\varnothing 52$ X $\varnothing 40$ X 45° X 45° X 1 pcs)

**XR-K452**

Threadless Semi-Integrated Headset
 Material : Alloy , Set of 10 pcs
 Height : 12.3mm
 Size : 1-1/8" Threadless Semi-Integrated Headset
 With $\varnothing 44$ Steel Cups
 Diameter : 1-1/8" X $\varnothing 44$ X $\varnothing 56$ X $\varnothing 30$
 Finish : Anodized black or silver
 Weight : 140g
 Bearings : Sealed cartridge.
 (6.5H X $\varnothing 41$ X $\varnothing 30.2$ X 45° X 45° X 1 pcs)
 (8H X $\varnothing 52$ X $\varnothing 40$ X 45° X 45° X 1 pcs)

**XR-K482**

Threadless Semi-Integrated Headset
 Material : Alloy+Steel, Set of 13 pcs
 Height : 23.2mm
 Size : 1-1/8" Threadless Semi-Integrated Headset
 With $\varnothing 44$ Steel Cups
 Diameter : 1-1/8" X $\varnothing 44$ X $\varnothing 55$ X $\varnothing 39.8$ X $\varnothing 30$
 Finish : CP/ED black Anodized black or silver
 Weight : 187g
 Bearings : Caged (5/32" X22X1 pcs)
 Caged (5/32" X27X1 pcs)

**XR-K461**

Threadless Semi-Integrated Headset
 Material : Alloy , Set of 10 pcs
 Height : 12.3mm
 Size : 1-1/8" Threadless Semi-Integrated Headset
 With $\varnothing 44$ Steel Cups
 Diameter : 1-1/8" X $\varnothing 44$ X $\varnothing 55$ X $\varnothing 39.8$
 Finish : Anodized black or silver
 Weight : 129g
 Bearings : Sealed cartridge.
 (6.5H X $\varnothing 41$ X $\varnothing 30.2$ X 45° X 45° X 1 pcs)
 (8H X $\varnothing 52$ X $\varnothing 40$ X 45° X 45° X 1 pcs)

**XR-K462**

Threadless Semi-Integrated Headset
 Material : Alloy , Set of 10 pcs
 Height : 12.3mm
 Size : 1-1/8" Threadless Semi-Integrated Headset
 With $\varnothing 44$ Steel Cups
 Diameter : 1-1/8" X $\varnothing 44$ X $\varnothing 55$ X $\varnothing 30$
 Finish : Anodized black or silver
 Weight : 138g
 Bearings : Sealed cartridge.
 (6.5H X $\varnothing 41$ X $\varnothing 30.2$ X 45° X 45° X 1 pcs)
 (8H X $\varnothing 52$ X $\varnothing 40$ X 45° X 45° X 1 pcs)

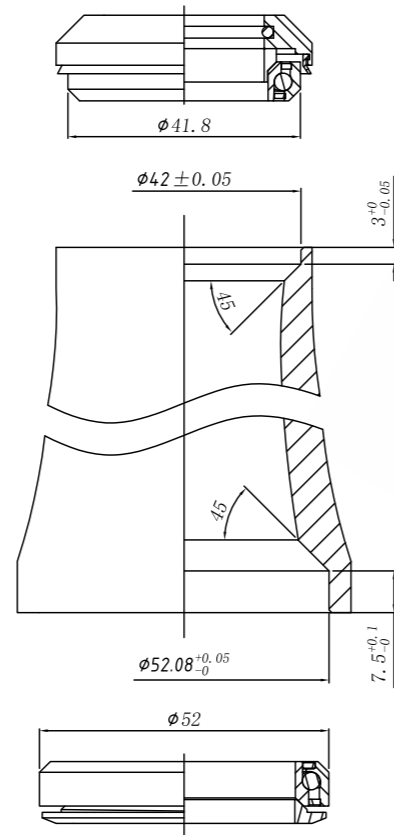
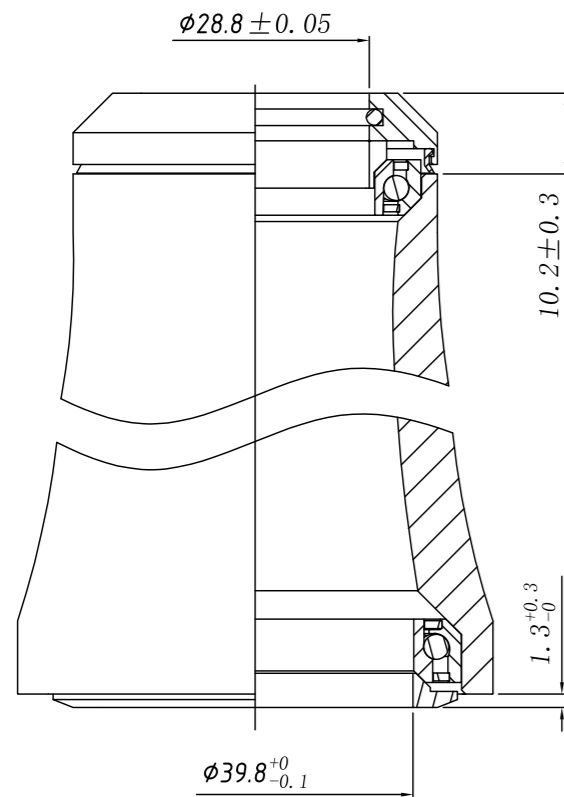
**XR-K482-1**

Threadless Semi-Integrated Headset
 Material : Alloy+Steel, Set of 13 pcs
 Height : 8.9mm
 Size : 1-1/8" Threadless Semi-Integrated Headset
 With $\varnothing 44$ Steel Cups
 Diameter : 1-1/8" X $\varnothing 44$ X $\varnothing 55$ X $\varnothing 39.8$ / $\varnothing 30$
 Finish : CP/ED black Anodized black or silver
 Weight : 170g
 Bearings : Sealed cartridge.
 Caged (5/32" X22X1 pcs)
 Caged (5/32" X27X1 pcs)



XR-K43/XR-K44

Integrated Threadless Headset
 Material : Alloy, Set of 8pcs
 Size : 1-1/8"
 Diameter : 1-1/8" x 41.8x52x39.8
 Height : 11.5mm
 Finish : Anodized black or silver
 Weight : 109g
 Bearings : Sealed Bearings
 (7HxØ41.8xØ30.2x45° x45° x1pcs)
 (8HxØ52xØ40x45° x45° x1pcs)
 1-1/8" To 1-1/2"



XR-K25/XR-K26

Integrated threadless headset with water seals
 Cartridge alloy cups alloy top cover
 Material : alloy Set of 8pcs
 Height : 8mm
 Size : 1-1/8"
 Diameter : 1-1/8" x 41x30
 Finish : Anodized black or silver
 Weight : 51g
 Bearings : Sealed cartridge.
 (6.5HxØ41xØ30.2x45° x45° x2pcs)



XR-K39/XR-K40

Integrated threadless head set
 Material : Alloy, Set of 8pcs
 Size : 1 1/8"
 Diameter : 1-1/8" x 41.8 x 30
 Height : 10.5mm
 Finish : Anodized black or silver
 Weight : 91g
 Bearings : Sealed Bearings
 (7HxØ41.8xØ30.2x45° x45° x2pcs)



XR-K35/XR-K36

Integrated threadless head set
 Material : Alloy, Set of 8pcs
 Size : 1 1/8"
 Diameter : 1-1/8" x 41.8 x 30
 Height : 10.8mm
 Finish : Anodized black or silver
 Weight : 96g
 Bearings : Sealed Bearings
 (8HxØ41.8xØ30.5x45° x45° x2pcs)



XR-K33/XR-K34

Integrated threadless head set
 Material : Alloy, Set of 8pcs
 Size : 1 1/8"
 Diameter : 1-1/8" x 41.8 x 47 x 33
 Height : 10.8mm
 Finish : Anodized black or silver
 Weight : 104.2g
 Bearings : Sealed Bearings
 (7HxØ41.8xØ30.2x45° x45° x1pcs)
 (8HxØ47xØ35x45° x45° x1pcs)



XR-K56

Integrated threadless headset with water seals
 Cartridge alloy cups alloy top cover
 Material : Alloy Set of 8pcs
 Height : 9mm
 Size : 1-1/8" Threadless Semi-Integrated Headset
 Diameter : 1-1/8" x Ø44 x Ø47 x Ø33
 Finish : Anodized black or silver
 Weight : 90g
 Bearings : Sealed cartridge.
 (6.5HxØ41xØ30.2x45° x45° x1pcs)
 (8HxØ47xØ35x45° x45° x1pcs)



XR-K43/XR-K44

Integrated threadless head set
 Material : Alloy, Set of 8pcs
 Size : 1 1/8"
 Diameter : 1-1/8" x 41.8 x 52 x 39.8
 Height : 11.5mm
 Finish : Anodized black or silver
 Weight : 109g
 Bearings : Sealed Bearings
 (7HxØ41.8xØ30.2x45° x45° x1pcs)
 (8HxØ52xØ40x45° x45° x1pcs)
 1-1/8" TO 1-1/2"



XR-W52-2 *NEW*

Integrated threadless head set

Material : Alloy+Steel,Set of 8 pcs
 Height : 21 mm
 Size : 1"
 Diameter : 1"×38×27
 Finish : Anodized black or silver
 Weight : 96g
 Bearings : Caged (6.5H×Ø38×Ø27.2×36°×45°×2pcs)



XR-K66-15 *NEW*

Integrated threadless head set

Material : Alloy+Steel,Set of 6 pcs
 Height : 9.5mm
 Size : 1-1/8"
 Diameter : 1-1/8"×41.8×30
 Finish : Anodized black or silver
 Weight : 66g
 Bearings : Caged (8H×Ø41.8×Ø30.5×45°×45°×2pcs)



XR-K918

Integrated threadless head set

Material : Alloy,Set of 8pcs
 Size : 1"
 Diameter : 1"×41×27
 Height : 12.5 mm
 Finish : Anodized black or silver
 Weight : 87. 4g
 Bearings : Sealed Bearings (6.5H×Ø41×Ø30.2×45°×45°×2pcs)



XR-K919

Integrated threadless headset

Material : Alloy,Set of 8pcs
 Size : 1-1/8"
 Diameter : 1-1/8"×41×30
 Height : 10.5 mm
 Finish : Anodized black or silver
 Weight : 88g
 Bearings : Sealed Bearings (6.5H×Ø41×Ø30.2×45°×45°×2pcs)



XR-K66-16 *NEW*

Integrated threadless head set

Material : Alloy+Steel,Set of 6 pcs
 Height : 9.7mm
 Size : 1-1/8"
 Diameter : 1-1/8"×41.8×30
 Finish : Anodized black or silver
 Weight : 72g
 Bearings : Caged (8H×Ø41.8×Ø30.5×45°×45°×2pcs)



XR-K900

Material : Alloy,set of 6pcs
 Height : 10mm
 Size : 1"
 Diameter : 1"×41.8×30
 Finish : Anodized black or silver
 Weight : 91g
 Bearings : Sealed cartridge (8H×Ø41.8×Ø30.5×45°×45°×2pcs)



XR-K921

Integrated threadless head set

Material : Alloy,Set of 8pcs
 Size : 1-1/8"
 Diameter : 1-1/8"×41×47×33
 Height : 11 mm
 Finish : Anodized black or silver
 Weight : 98. 1g
 Bearings : Sealed Bearings (6.5H×Ø41×Ø30.2×45°×45°×1pcs) (8H×Ø47×Ø35×45°×45°×1pcs)



XR-K920

Integrated threadless head set

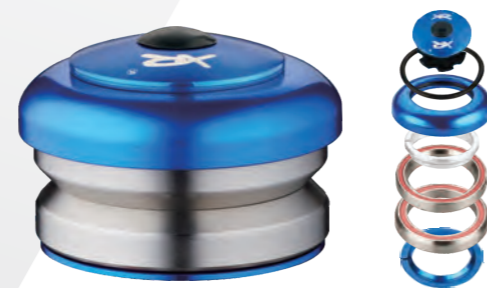
Material : Alloy,Set of 8pcs
 Size : 1-1/8"
 Diameter : 1-1/8"×41×30
 Height : 18 mm
 Finish : Anodized black or silver
 Weight : 96. 9g
 Bearings : Sealed Bearings (6.5H×Ø41×Ø30.2×45°×45°×2pcs)



XR-K36-7 *NEW*

Integrated threadless head set

Material : Alloy+Steel,Set of 7 pcs
 Height : 12.3mm
 Size : 1-1/8"
 Diameter : 1-1/8×41.8×30
 Finish : Anodized black or silver
 Weight : 79g
 Bearings : Caged (8H×Ø41.8×Ø30.5×45°×45°×2pcs)



XR-K66-2

Intergrated threadless headset with water seals
 Cartridge alloy cups alloy top cover

Material : Alloy Set of 7pcs
 Height : 11mm
 Size : 1-1/8" Threadless Semi-Integrated Headset
 Diameter : 1-1/8" XØ41.8XØ30
 Finish : Anodized black or silver
 Weight : 67g
 Bearings : Sealed cartridge. (7H×Ø41.8×Ø30.2×45°×45°×2pcs)



XR-K922

Integrated threadless head set

Material : Alloy,Set of 7pcs
 Size : 1-1/2"
 Diameter : 1-1/2"×52×39. 8
 Height : 11 mm
 Finish : Anodized black or silver
 Weight : 131. 5 g
 Bearings : Sealed Bearings (8H×Ø52×Ø40×45°×45°×2pcs)



XR-NZX-1 *NEW*

Threadless Semi-integrated Headset

Material : Alloy+Steel,Set of 4 pcs
 Height : /
 Size : 1" Threadless Semi-integrated Headset
 Diameter : 1"×52×27
 Finish : Anodized black or silver
 Weight : 83g
 Bearings : Caged (8H×Ø52×Ø40×45°×45°)



XR-W27/XR-W28

Material : Alloy, Set of 9pcs
 Size : 1-1/8" Threadless
 Diameter : 1-1/8" x34 x30
 Height : 29 mm
 Finish : Anodized black or silver
 Weight : 88g
 Bearings : Sealed Bearings
 (6.5H x ϕ 41 x ϕ 30.2 x 45° x 45° x 2pcs)



XR-W25/XR-W26

Material : Alloy, Set of 9pcs
 Size : 1-1/8" Threadless
 Diameter : 1-1/8" x34 x30
 Height : 28.9mm
 Finish : Anodized black or silver
 Weight : 110g
 Bearings : Sealed Bearings
 (6.5H x ϕ 41 x ϕ 30.2 x 45° x 45° x 2pcs)



XR-W500

Material : Alloy+Steel, Set of 7pcs
 Size : 1" Threadless
 Diameter : 1" x30x27
 Height : 26.5mm
 Finish : Anodized black or silver
 Weight : 94g
 Bearings : Sealed cartidge (6.5H x ϕ 38 x ϕ 27.2 x 36° x 45° x 2pcs)



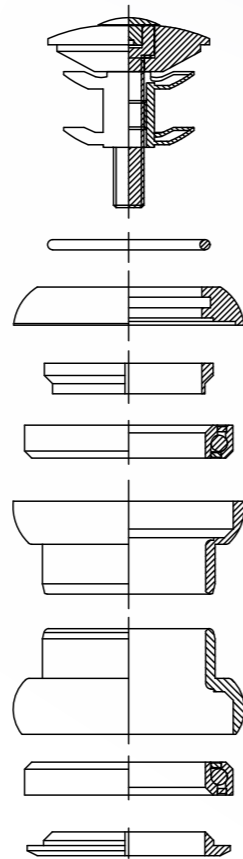
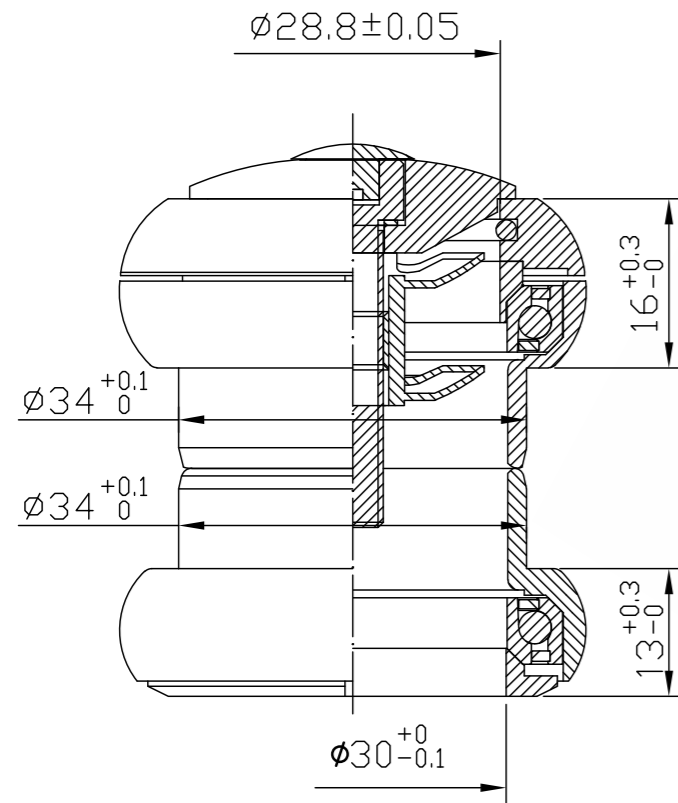
XR-W31/XR-W32

Material : Alloy, Set of 7pcs
 Size : 1 1/8" Threadless
 Diameter : 1-1/8" x34 x30
 Height : 28mm
 Finish : Anodized black or silver
 Weight : 82g
 Bearings : Sealed Bearings
 (6.5H x ϕ 41 x ϕ 30.2 x 45° x 45° x 2pcs)



XR-W27/XR-W28

Material : Alloy, Set of 9pcs
 Size : 1 1/8" Threadless
 Diameter : 1-1/8" x34 x30
 Height : 29mm
 Finish : Anodized black or silver
 Weight : 88g
 Bearings : Sealed Bearings
 (6.5H x ϕ 41 x ϕ 30.2 x 45° x 45° x 2pcs)



XR-W17-1/XR-W18-1 (Same as XR-W17/XR-W18)

Material : Alloy+Steel, Set of 9pcs
 Size : 1-1/8" Threadless
 Diameter : 1-1/8" x34 x30
 Height : 29.5mm
 Finish : Anodized black or silver
 Weight : 121g
 Bearings : Sealed cartridge.
 (6.5H x ϕ 41 x ϕ 30.2 x 45° x 45° x 2pcs)



XR-W35/XR-W36

Material : Alloy, Set of 7pcs
 Size : 1 1/8" Threadless
 Diameter : 1-1/8" x34 x30
 Height : 27.5mm
 Finish : Anodized black or silver
 Weight : 82g
 Bearings : Sealed Bearings
 (6.5H x ϕ 41 x ϕ 30.2 x 45° x 45° x 2pcs)



XR-K807-1

Threadless Semi-Integrated Headset
 Material : Alloy+Steel, Set of 10 pcs
 Height : 24mm
 Size : 1-1/8" Threadless Semi-Integrated Headset
 With $\varnothing 44$ Steel Cups
 Diameter : 1-1/8" X 44X39.8
 Finish : Anodized black or silver
 Weight : 140. 4g
 Bearings : Sealed cartridge.
 (6.5H \times $\varnothing 41 \times \varnothing 30.2 \times 45^\circ \times 45^\circ \times 1$ pcs)
 (8H $\times \varnothing 52 \times \varnothing 40 \times 45^\circ \times 45^\circ \times 1$ pcs)



XR-K807

Threadless Semi-Integrated Headset
 Material : Alloy+Steel, Set of 10 pcs
 Height : 19. 5mm
 Size : 1-1/8" Threadless Semi-Integrated Headset
 With $\varnothing 44$ Steel Cups
 Diameter : 1-1/8" X 44X39.8
 Finish : Anodized black or silver
 Weight : 132. 3g
 Bearings : Sealed cartridge.
 (6.5H $\times \varnothing 41 \times \varnothing 30.2 \times 45^\circ \times 45^\circ \times 1$ pcs)
 (8H $\times \varnothing 52 \times \varnothing 40 \times 45^\circ \times 45^\circ \times 1$ pcs)



XR-K810

Threadless Semi-Integrated Headset
 Material : Alloy+Steel, Set of 10pcs
 Height : 30. 5mm
 Size : 1-1/4" Threadless Semi-Integrated Headset
 With $\varnothing 44$ Steel Cups
 Diameter : 1-1/4" X49. 7X 39.8
 Finish : Anodized black or silver
 Weight : 182g
 Bearings : Sealed cartridge.
 (8H $\times \varnothing 52 \times \varnothing 40 \times 45^\circ \times 45^\circ \times 2$ pcs)



XR-K820

Threadless Semi-Integrated Headset
 Material : Alloy+Steel, Set of 10pcs
 Height : 30. 5mm
 Size : 1-1/2"
 Diameter : 1-1/2" X 44 X 39.8
 Finish : Anodized black or silver
 Weight : 185g
 Bearings : Sealed cartridge.
 (8H $\times \varnothing 52 \times \varnothing 40 \times 45^\circ \times 45^\circ \times 2$ pcs)



XR-K808-2

Threadless Semi-Integrated Headset
 Material : Alloy+Steel, Set of 10 pcs
 Height : 32 mm
 Size : 1-1/8" Threadless Semi-Integrated Headset
 With $\varnothing 44$ Steel Cups
 Diameter : 1-1/8" X 44X39.8
 Finish : Anodized black or silver
 Weight : 148. 1g
 Bearings : Sealed cartridge.
 (6.5H $\times \varnothing 41 \times \varnothing 30.2 \times 45^\circ \times 45^\circ \times 1$ pcs)
 (8H $\times \varnothing 52 \times \varnothing 40 \times 45^\circ \times 45^\circ \times 1$ pcs)



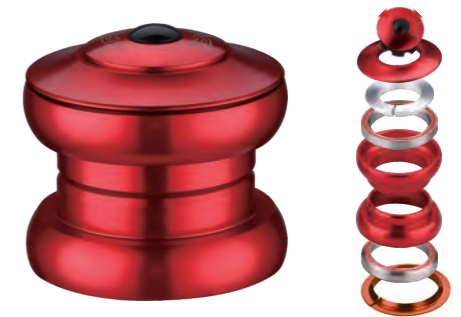
XR-K809

Threadless Semi-Integrated Headset
 Material : Alloy+Steel, Set of 10 pcs
 Height : 19. 5mm
 Size : 1-1/8" Threadless Semi-Integrated Headset
 With $\varnothing 44$ Steel Cups
 Diameter : 1-1/8" X 44X50. 6X 39.8
 Finish : Anodized black or silver
 Weight : 130. 9g
 Bearings : Sealed cartridge.
 (6.5H $\times \varnothing 41 \times \varnothing 30.2 \times 45^\circ \times 45^\circ \times 1$ pcs)
 (8H $\times \varnothing 52 \times \varnothing 40 \times 45^\circ \times 45^\circ \times 1$ pcs)



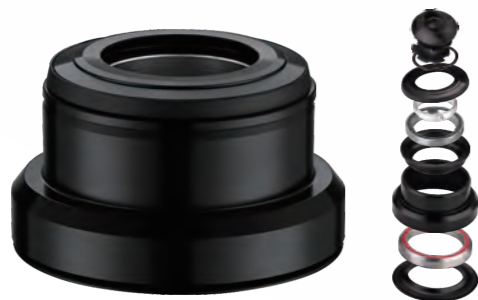
XR-K815

Threadless Semi-Integrated Headset
 Material : Alloy+Steel, Set of 9 pcs
 Height : 30. 5mm
 Size : 1-1/8" Threadless Semi-Integrated Headset
 With $\varnothing 44$ Steel Cups
 Diameter : 1-1/8" X50. 6X 39.8
 Finish : Anodized black or silver
 Weight : 181. 8g
 Bearings : Sealed cartridge.
 (8H $\times \varnothing 52 \times \varnothing 40 \times 45^\circ \times 45^\circ \times 2$ pcs)



XR-K814

Threadless Semi-Integrated Headset
 Material : Alloy+Steel, Set of 9 pcs
 Height : 30. 5mm
 Size : 1-1/8" Threadless Semi-Integrated Headset
 With $\varnothing 44$ Steel Cups
 Diameter : 1-1/8" X 44 X 39.8
 Finish : Anodized black or silver
 Weight : 185g
 Bearings : Sealed cartridge.
 (8H $\times \varnothing 52 \times \varnothing 40 \times 45^\circ \times 45^\circ \times 2$ pcs)



XR-K812

Threadless Semi-Integrated Headset
 Material : Alloy+Steel, Set of 10 pcs
 Height : 21mm
 Size : 1-1/8" Threadless Semi-Integrated Headset
 With $\varnothing 44$ Steel Cups
 Diameter : 1-1/8" X 44X49. 7X 39.8
 Finish : Anodized black or silver
 Weight : 155. 1g
 Bearings : Sealed cartridge.
 (6.5H $\times \varnothing 41 \times \varnothing 30.2 \times 45^\circ \times 45^\circ \times 1$ pcs)
 (8H $\times \varnothing 52 \times \varnothing 40 \times 45^\circ \times 45^\circ \times 1$ pcs)



XR-W400

Material : Alloy+Steel, Set of 6pcs
 Size : 1" Threadless
 Diameter : 1" x30x27
 Height :
 Finish : CP/ED black
 Weight : 178g
 Bearings : Caged(1/8" x24x2pcs)



XR-W03/XR-W04

Material : Alloy+Steel, Set of 10pcs
 Size : 1" Threadless
 Diameter : 1" X30X27
 Height : 21.5mm
 Finish : CP/ED black
 Weight : 112g
 Bearings : Caged (5/32" X16X2pcs)



XR-W04-A

Material : Alloy+Steel, Set of 10pcs
 Size : 1" Threadless
 Diameter : 1" X30X27
 Height : 24.5mm
 Finish : CP/ED black
 Weight : 127g
 Bearings : Caged (5/32" X16X2pcs)



XR-W01/XR-W02

Material : Alloy+Steel, Set of 10pcs
 Size : 1-1/8" Threadless
 Diameter : 1-1/8" X34X30
 Height : 26.3mm
 Finish : CP/ED black
 Weight : 151g
 Bearings : Caged (5/32" X20X2pcs)



XR-W07/XR-W08

Material : Alloy+Steel, Set of 10pcs
 Size : 1-1/8" Threadless
 Diameter : 1-1/8" X34X30
 Height : 25.2mm
 Finish : CP/ED black
 Weight : 128g
 Bearings : Caged (5/32" X20X2pcs)



XR-W04-1

Material : Alloy+Steel, Set of 8pcs
 Size : 1" Threadless
 Diameter : 1" X34X27
 Height : 23.5mm
 Finish : CP/ED black
 Weight : 134g
 Bearings : Caged (5/32" X16X2pcs)



XR-W05/XR-W06

Material : Alloy+Steel, Set of 13pcs
 Size : 1-1/8" Threadless
 Diameter : 1-1/8" X34X30
 Height : 37mm
 Finish : CP/ED black
 Weight : 135g
 Bearings : Caged (1/8" X25X2pcs)



XR-W09/XR-W10

Material : Alloy+Steel, Set of 10pcs
 Size : 1-1/8" Threadless
 Diameter : 1-1/8" X34X30
 Height : 21.8mm
 Finish : CP/ED black
 Weight : 131g
 Bearings : Caged (5/32" X20X2pcs)



XR-W13/XR-W14

Material : Alloy+Steel, Set of 13pcs
 Size : 1-1/8" Threadless
 Diameter : 1-1/8" X34X30
 Height : 24mm
 Finish : CP/ED black
 Weight : 119g
 Bearings : Caged (1/8" X25X2pcs)



XR-W603

Material : Alloy+Steel, Set of 9pcs
 Size : 1-1/8" Threadless
 Diameter : 1-1/8" X34X30
 Height : 23mm
 Finish : CP/ED black
 Weight : 141g
 Bearings : Caged (5/32" X20X2pcs)



XR-W10A

Material : Alloy+Steel, Set of 10pcs
 Size : 1-1/8" Threadless
 Diameter : 1-1/8" X34X30
 Height : 36.3mm
 Finish : CP/ED black
 Weight : 145g
 Bearings : Caged (5/32" X20X2pcs)



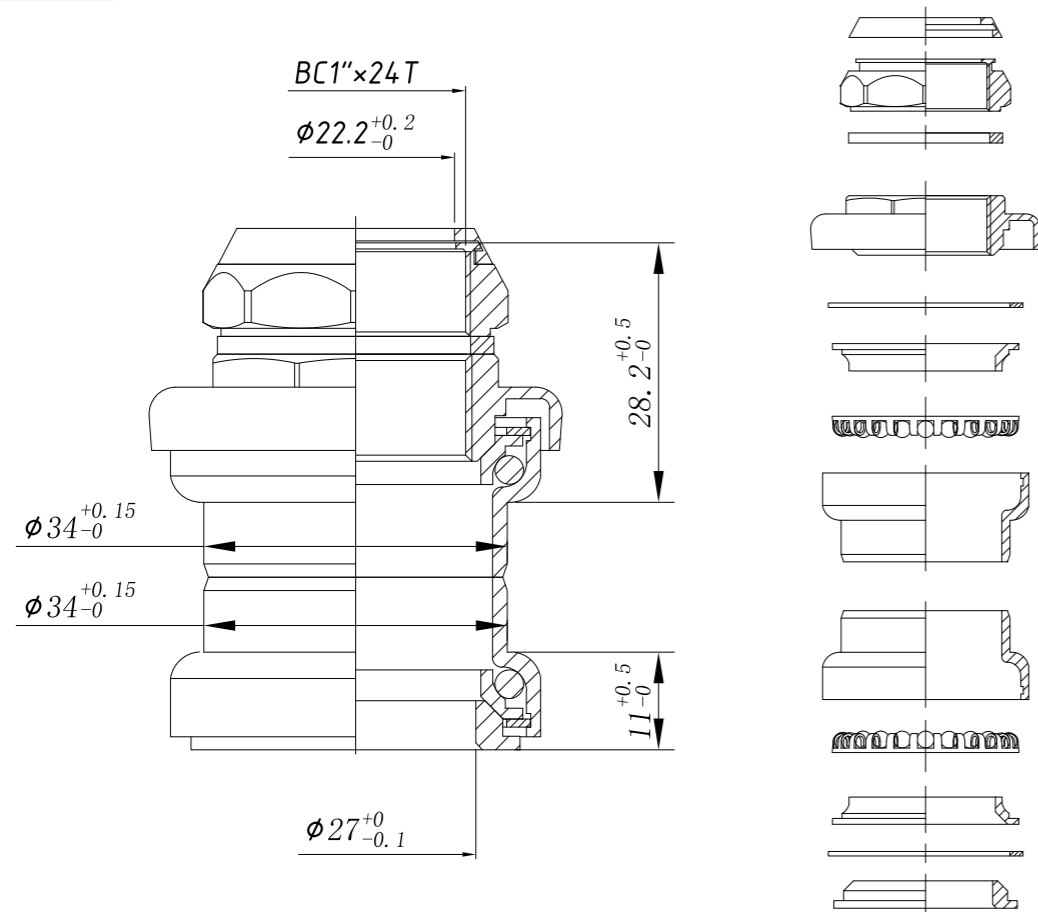
XR-W15/XR-W16

Material : Alloy+Steel, Set of 10pcs
 Size : 1-1/8" Threadless
 Diameter : 1-1/8" X34X30
 Height : 27.5mm
 Finish : CP/ED black
 Weight : 129g
 Bearings : Caged (5/32" X20X2pcs)

XR-E9-CKS/XR-E10-CKS



Water-resistant
 Material : Steel, Set of 12pcs
 Size : 1"
 Diameter : 22.2x34x27
 Height : 39.5mm
 Finish : CP/ED black
 Weight : 156g
 Bearings : Caged (1/8"x24x2pcs)



XR-W50

Material : Alloy+Steel, Set of 8pcs
 Size : 1" Threaded
 Diameter : 1"×30×27
 Height : 43mm
 Finish : CP/ED black
 Weight : 130g
 Bearings : Caged (5/32"×16×2pcs)



XR-F300

SAFETY 130

Material : Steel, Set of 7pcs
 Size : 1" Threaded
 Diameter : 1"×34×27
 Height : 42mm
 Finish : CP/ED black
 Weight : 200g
 Bearings : Caged(1/8"×24x1pcs,5/32"×16x1pcs)



XR-W700-1

Material : Steel, Set of 10pcs
 Size : 1-1/8" Threadless
 Diameter : 1-1/8"×34×30
 Height : 35.5mm
 Finish : CP/ED black
 Weight : 146.8g
 Bearings : Caged(5/32"×20x1pcs)
 (1/8"×25x1pcs)



XR-W05-1/XR-W06-1

Material : Alloy+Steel, Set of 14pcs
 Size : 1-1/8" Threaded
 Diameter : 1-1/8"×34×30
 Height : 35mm
 Finish : CP/ED black
 Weight : 121g
 Bearings : Caged (1/8"×25×2pcs)



XR-W601

Material : Steel, Set of 8pcs
 Size : M25x1
 Diameter : M25x30x44x30
 Height : 27.5mm
 Finish : CP/ED black
 Weight : 159g
 Bearings : Caged(5/32"×20x1pcs 5/32"×20x1pcs)



XR-W51

Material : Steel, Set of 9pcs
 Size : 1-1/8" Threaded
 Diameter : 1-1/8" x 34x30
 Height : 41mm
 Finish : Anodized black or silver
 Weight : 140g
 Bearings : Caged (5/32" x 20x2pcs)



XR-K301

Material : Alloy, set of 8pcs
 Height : 40.5mm
 Size : 1-1/8" Threaded
 Diameter : 1-1/8" x 34x30
 Finish : Anodized black or silver
 Weight : 94g
 Bearings : Sealed cartridge (6.5HXØ41xØ30.2X45° X45° X2pcs)



XR-D2

Material : Steel, Set of 8pcs
 Size : 1"
 Diameter : 22.2x30x27
 Height : 36.5mm
 Finish : CP/ED black
 Weight : 150g
 Bearings : Caged (5/32" x 16x2pcs)



XR-D1

Material : Steel, Set of 8pcs
 Size : 1"
 Diameter : 22.2x30x27
 Height : 34mm
 Finish : CP/ED black
 Weight : 130g
 Bearings : Caged (5/32" x 16x2pcs)



XR-W52

Material : Alloy, Set of 8pcs
 Size : 1" Threaded
 Diameter : 1" X30X27
 Height : 40mm
 Finish : Anodized black or silver
 Weight : 93g
 Bearings : Sealed cartridge (6.5HXØ38XØ28.2X45° X45° X2pcs)



XR-W29/XR-W30

Material : Steel, Set of 9pcs
 Size : 1-1/8" Threaded
 Diameter : 1-1/8" x 34x30
 Height : 30mm
 Finish : CP/ED black
 Weight : 175g
 Bearings : Caged (5/32" x 20x2pcs)



XR-D3

Material : Steel, Set of 8pcs
 Size : 1"
 Diameter : 22.2x34x27
 Height : 36.5mm
 Finish : CP/ED black
 Weight : 153g
 Bearings : Caged (5/32" x 16x2pcs)



XR-D2A

Material : Alloy+Steel, set of 9pcs
 Size : 1"
 Diameter : 22.2x30x27
 Height : 36.5mm
 Finish : CP/ED black
 Weight : 170g
 Bearings : Caged (5/32" x 16x2pcs)



XR-W55

Threadless Semi-Integrated Headset
 Material : Steel, Set of 12pcs
 Height : 26.2 mm
 Size : 1" Threaded
 Diameter : 1" x 34x30
 Finish : CP/ED black
 Weight : 143g
 Bearings : Caged (5/32" x 22x2pcs)



XR-E1-C/XR-E2-C

Material : Steel, Set of 8pcs
 Size : 1"
 Diameter : 22.2x30x27
 Height : 39mm
 Finish : CP/ED black
 Weight : 139g
 Bearings : Caged (5/32" x 16x2pcs)



XR-E1/XR-E2

Material : Steel, Set of 8pcs
 Size : 1"
 Diameter : 22.2x30x27
 Height : 36 mm
 Finish : CP/ED black
 Weight : 142g
 Bearings : Caged (5/32" x 16x2pcs)



XR-C1-1/XR-C2-1 SAFETY 90° or 130°

Material : Steel, Set of 8pcs
 Size : 1"
 Diameter : 22.2×30×27
 Height : 35mm
 Finish : CP/ED black
 Weight : 124g
 Bearings : Caged (5/32"×16×2pcs)



XR-C1/XR-C2

Material : Steel, Set of 8pcs
 Size : 1"
 Diameter : 22.2×30×27
 Height : 35mm
 Finish : CP/ED black
 Weight : 125g
 Bearings : Caged (5/32"×16×2pcs)



XR-E1-CKS/XR-E2-CKS

Water-resistant
 Material : Steel, Set of 12pcs
 Size : 1"
 Diameter : 22.2×30×27
 Height : 40.5mm
 Finish : CP/ED black
 Weight : 159g
 Bearings : Caged (1/8"×24×2pcs)



XR-W301-7 *NEW*

Material : Steel, Set of 11 pcs
 Height : 48.7 mm
 Size : 1"
 Diameter : 1"×30×27
 Finish : CP/ED black
 Weight : 169g
 Bearings : Caged (6.5H×ϕ38×ϕ27.2×36°×45°×2pcs)



XR-C1-B/XR-C2-B

Material : Steel, Set of 8pcs
 Size : 1"
 Diameter : 22.2×30×27
 Height : 36mm
 Finish : CP/ED black
 Weight : 125g
 Bearings : Caged (5/32"×16×2pcs)



XR-C1-E1/XR-C2-E2

Material : Steel, Set of 8pcs
 Size : 1"
 Diameter : 22.2×30×27
 Height : 36.5mm
 Finish : CP/ED black
 Weight : 133g
 Bearings : Caged (5/32"×16×2pcs)



XR-E3/XR-E4

Water-resistant
 Material : Steel, Set of 8pcs
 Size : 1"
 Diameter : 22.2×30×27
 Height : 35.5mm
 Finish : CP/ED black
 Weight : 142g
 Bearings : Caged (5/32"×16×2pcs)



XR-E5/XR-E6

Material : Steel, Set of 8pcs
 Size : 1"
 Diameter : 22.2×34×27
 Height : 35mm
 Finish : CP/ED black
 Weight : 146g
 Bearings : Caged (5/32"×16×2pcs)



XR-C3/XR-C4

Material : Steel, Set of 8pcs
 Size : 1"
 Diameter : 21.1×32.5×27
 Height : 35mm
 Finish : CP/ED black
 Weight : 123g
 Bearings : Caged (5/32"×16×2pcs)



XR-C5/XR-C6

Material : Steel, Set of 8pcs
 Size : 1"
 Diameter : 22.2×34×27
 Height : 35mm
 Finish : CP/ED black
 Weight : 122g
 Bearings : Caged (5/32"×16×2pcs)



XR-E7/XR-E8

Water-resistant
 Material : Steel, Set of 8pcs
 Size : 1"
 Diameter : 22.2×34×27
 Height : 35.5mm
 Finish : CP/ED black
 Weight : 143g
 Bearings : Caged (5/32"×16×2pcs)



XR-E9/XR-E10

Water-resistant
 Material : Steel, Set of 8pcs
 Size : 1"
 Diameter : 22.2×34×27
 Height : 38mm
 Finish : CP/ED black
 Weight : 129g
 Bearings : Caged (5/32"×16×2pcs)



XR-WE11

Water-resistant
 Material : Zn+Steel, set of 12pcs
 Size : 1"
 Diameter : 22.2×30×27
 Height : 43 mm
 Finish : CP/ED black
 Weight : 161g
 Bearings : Caged (1/8"×24×2pcs)



XR-E9-CKS/XR-E10-CKS

Water-resistant
 Material : Steel, Set of 12pcs
 Size : 1"
 Diameter : 22.2×34×27
 Height : 39.5mm
 Finish : CP/ED black
 Weight : 156g
 Bearings : Caged (1/8"×24×2pcs)



XR-E1-Y

Material : Steel, Set of 7pcs
 Size : 1"
 Diameter : 1"×30×27
 Height : 35.5mm
 Finish : CP/ED black
 Weight : 136g
 Bearings : Caged (5/32"×16×2pcs)



XR-H01/XR-H02

Material : Steel, Set of 8pcs
 Size : 1"
 Diameter : 22.2×30×27
 Height : 36mm
 Finish : CP/ED black
 Weight : 135g
 Bearings : Caged (5/32"×16×2pcs)



XR-F1/XR-F2

Water-resistant
 Material : Steel, Set of 8pcs
 Size : 1"
 Diameter : 22.2×30×27
 Height : 34.5mm
 Finish : CP/ED black
 Weight : 127g
 Bearings : Caged (5/32"×16×2pcs)



XR-WE13

Water-resistant
 Material : Zn+Steel, set of 12pcs
 Size : 1"
 Diameter : 22.2×34×27
 Height : 43mm
 Finish : CP/ED black
 Weight : 163g
 Bearings : Caged (1/8"×24×2pcs)



XR-H1-B/XR-H2-B

Water-resistant
 Material : Steel, Set of 9pcs
 Size : 1"
 Diameter : 22.2×30×27
 Height : 35mm
 Finish : CP/ED black
 Weight : 126g
 Bearings : Caged (5/32"×16×2pcs)



XR-H3/XR-H4

Material : Steel, Set of 8pcs
 Size : 1"
 Diameter : 21.1×32.5×27
 Height : 39.5mm
 Finish : CP/ED black
 Weight : 138g
 Bearings : Caged (5/32"×16×2pcs)



XR-H1/XR-H2

Material : Steel, Set of 8pcs
 Size : 1"
 Diameter : 22.2×30×27
 Height : 35mm
 Finish : CP/ED black
 Weight : 120g
 Bearings : Caged (5/32"×16×2pcs)



XR-Z103-7

NEW
 Threaded Semi-integrated Headset
 Material : Steel, Set of 9 pcs
 Height : 32mm
 Size : 1-1/8" Threaded Semi-integrated Headset
 With Ø34 steel Cups
 Diameter : 25.4×34×44×30
 Finish : CP/ED black
 Weight : 157g
 Bearings : Caged (5/32"×20×2pcs)



XR-L1/XR-L2

Material : Steel, Set of 5pcs
 Size : 1" or 1" X26T
 Diameter : 22.2×30×27
 Height : 37mm
 Finish : CP/ED black
 Weight : 162g
 Bearings : 5/32" Balls



XR-Z7/XR-Z8

Material : Steel, Set of 7pcs
 Size : 1-1/8"
 Diameter : 1-1/8"×34×25.5
 Height : 42mm
 Finish : CP/ED black
 Weight : 186g
 Bearings : Caged (5/32"×20×2pcs)



XR-Z1/XR-Z2

Material : Steel, Set of 7pcs
 Size : 1-1/8"
 Diameter : 1-1/8" × 34 × 30
 Height : 35.3mm
 Finish : CP/ED black
 Weight : 160g
 Bearings : Caged (5/32" × 20 × 2pcs)



XR-Z1-Y

Material : Steel, Set of 7pcs
 Size : 1-1/8"
 Diameter : 1-1/8" × 34 × 30
 Height : 35.5mm
 Finish : CP/ED black
 Weight : 170g
 Bearings : Caged (5/32" × 20 × 2pcs)



XR-Z3/XR-Z4

Material : Steel, Set of 9pcs
 Size : 1-1/8"
 Diameter : 25.4 × 34 × 30
 Height : 39.5mm
 Finish : CP/ED black
 Weight : 164g
 Bearings : Caged (5/32" × 20 × 2pcs)



XR-Z9/XR-Z10

Material : Steel, Set of 9pcs
 Size : 1-1/8"
 Diameter : 25.4 × 34 × 30
 Height : 36mm
 Finish : CP/ED black
 Weight : 146g
 Bearings : Caged (5/32" × 20 × 2pcs)



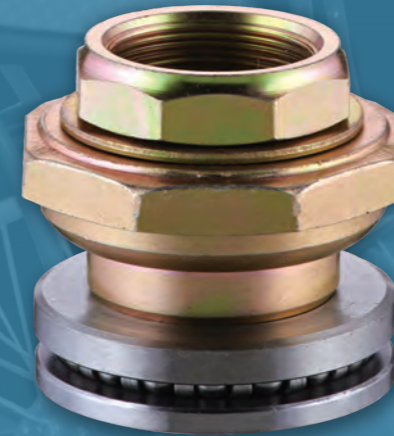
XR-Z301

Material : Steel, Set of 9pcs
 Size : 1-1/8"
 Diameter : 25.4 × 34 × 30
 Height : 38.5mm
 Finish : CP/ED black
 Weight : 166g
 Bearings : Caged (5/32" × 20 × 2pcs)



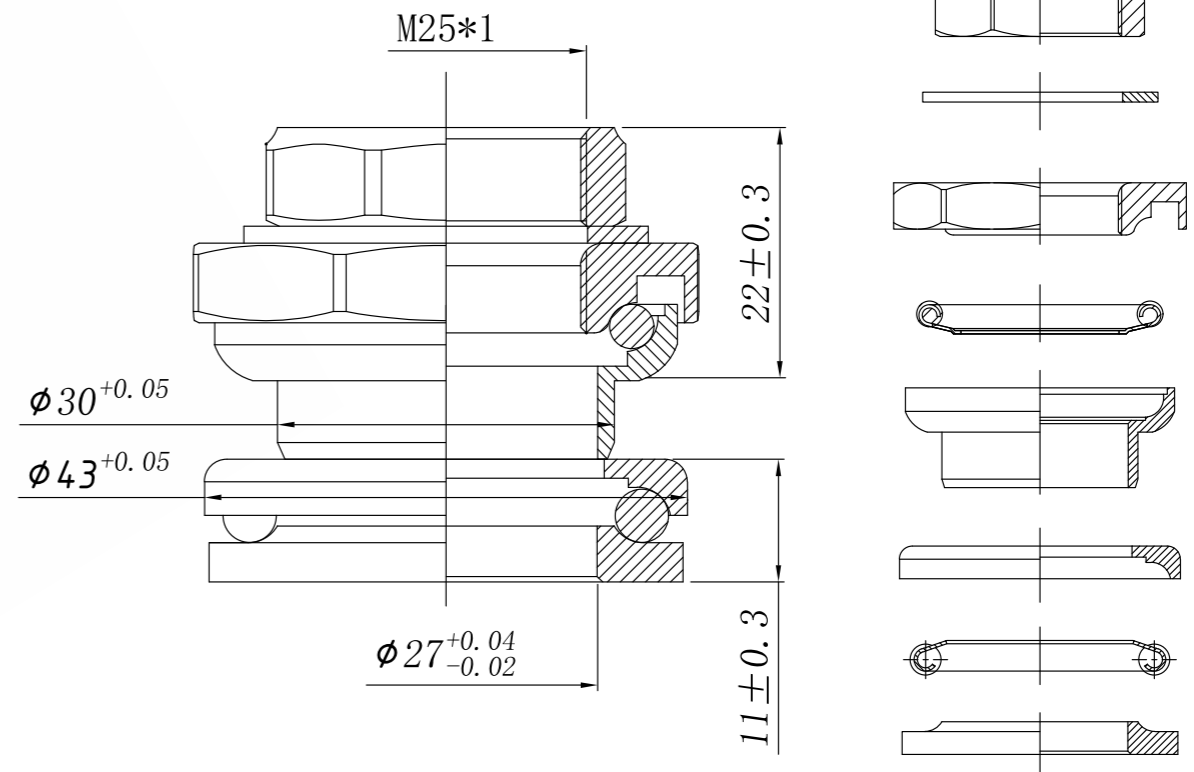
XR-Z11

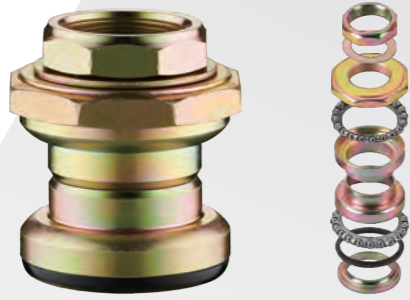
Material : Steel, Set of 9pcs
 Size : 1-1/8"
 Diameter : 25.4 × 34 × 30
 Height : 37mm
 Finish : CP/ED black
 Weight : 149g
 Bearings : Caged (5/32" × 20 × 2pcs)



XR-M2-1

Material : Steel, Set of 8pcs
 Size : M25x1
 Diameter : M25x30x43x27
 Finish : UCP
 Weight : 156g
 Bearings : Caged (5/32"x20x1pcs)
 (3/16"x18x1pcs)





XR-M1 小鲨

Material : Steel, Set of 9pcs
 Size : M25×1
 Diameter : M25×30×27
 Finish : UCP
 Weight : 155g
 Bearings : Caged (5/32"×20×2pcs)



XR-M2-3 NEW

Material : Steel, Set of 8pcs
 Size : M25×1
 Diameter : M25×34×27
 Finish : ED
 Weight : 149g
 Bearings : Caged (5/32"×20×2pcs)



XR-M2 巧格

Material : Steel, Set of 9pcs
 Size : M25×1
 Diameter : M25×43×43×27
 Finish : UCP
 Weight : 181g
 Bearings : Caged (3/16"×18×2pcs)



XR-M9

Material : Steel, Set of 11pcs
 Size : M26×1
 Diameter : M26×45×54×27
 Finish : CP/UCP/ED black
 Weight : 308.5g
 Bearings : Caged (3/16"×16×1pcs)
 (3/16"×20×1pcs)



XR-M1-TW 中鲨

Material : Steel, Set of 9pcs
 Size : M25×1
 Diameter : M25×30×50×30
 Finish : UCP
 Weight : 205g
 Bearings : Caged (5/32"×20×1pcs)
 (1/4"×15×1pcs)



XR-M1-2

Material : Steel, Set of 9pcs
 Size : 1"
 Diameter : 1"×30×27
 Finish : ED
 Weight : 144g
 Bearings : Caged (5/32"×20×2pcs)



XR-M3 老款巧格

Material : Steel, Set of 9pcs
 Size : M25×1
 Diameter : M25×43×48×30
 Finish : UCP
 Weight : 250g
 Bearings : Caged (3/16"×18×1pcs)
 (1/4"×15×1pcs)



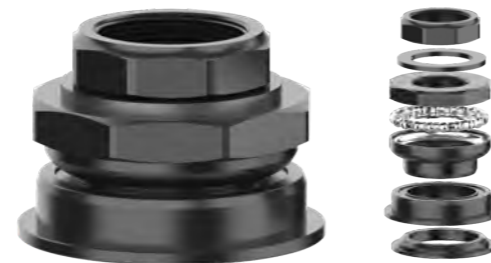
XR-M2-1 小龟王

Material : Steel, Set of 8pcs
 Size : M25×1
 Diameter : M25×30×43×27
 Finish : UCP
 Weight : 156g
 Bearings : Caged (5/32"×20×1pcs)
 (3/16"×18×1pcs)



XR-M1-3

Material : Steel, Set of 9pcs
 Size : 1"
 Diameter : 1"×34×27
 Finish : ED
 Weight : 149g
 Bearings : Caged (5/32"×20×2pcs)



XR-M2-4 NEW

Material : Steel, Set of 7pcs
 Size : M25×1
 Diameter : M25×30×44×27
 Finish : ED
 Weight : 171g
 Bearings : Caged (5/32"×20×1pcs)
 (5/32" Balls)



XR-M4 小帅哥

Material : Steel, Set of 7pcs
 Size : M25×1
 Diameter : M25×30×33×30
 Finish : UCP
 Weight : 156g
 Bearings : Caged (5/32"×20×1pcs)
 (5/32"×21×1pcs)



XR-M5

Material : Steel, Set of 8pcs
 Size : M25×1
 Diameter : M25×30×50×30
 Finish : UCP
 Weight : 232g
 Bearings : Caged (5/32"×20×1pcs)
 (9/32"×12×1pcs)



XR-A01-1 (68mm)

Sealed bearing w/aluminum sheath
Cold-forged steel cups
Smooth turning
Thread : BC1.37" ×24T L/R
Axle : Boron steel
Weight : Phosphated cups anodized sheath : 280g



XR-A01 (68mm)

Sealed bearing w/aluminum sheath
Cold-forged steel cups
Smooth turning
Thread : BC1.37" ×24T L/R
Axle : Boron steel
Weight : Phosphated cups anodized sheath : 280g



XR-A01-C (71mm)

Sealed bearing w/aluminum sheath
Cold-forged steel cups
Smooth turning
Thread : BC1.37" ×24T L/R
Axle : Boron steel
Weight : Phosphated cups anodized sheath : 280g



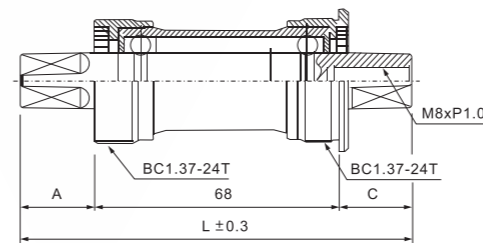
XR-A01-A EN (68mm)

Sealed bearing w/aluminum sheath
Cold-forged Alloy cups
Smooth turning
Thread : BC1.37" ×24T L/R
Axle : Boron steel
Weight : Phosphated cups anodized sheath : 280g



XR-A01W (68mm)

Sealed bearing w/aluminum sheath
Cold-forged steel cups
Smooth turning
Thread : BC1.37" ×24T L/R
Axle : Boron steel
Weight : Phosphated cups anodized sheath : 280g



Bracket Width	68	68	68	68	68	68	68
A	18	18	21	22	23	23	24
C	17	21	21.5	23	24	25	26
Axle Length	103	107	110.5	113	115	116	118

Bracket Width	68	68	68	68	68	68
A	24	25	26	27	27	27
C	27	27	28	29.5	31	32.5
Axle Length	119	120	122	124.5	126	127.5



XR-A01 (120mm) NEW

Ball bearing w/plastic sheath
Cold-forged steel cups
Thread : BC1.37"×24T L/R
Axle : Boron steel
Phoshated cups
Weight : 426g



XR-A01-1 (90mm) NEW

Ball bearing w/plastic sheath
Cold-forged steel cups
Thread : BC1.37"×24T L/R
Axle : Boron steel
Phoshated cups
Weight : 361g



XR-A01-1 (110mm) NEW

Ball bearing w/plastic sheath
Cold-forged steel cups
Thread : BC1.37"×24T L/R
Axle : Boron steel
Phoshated cups
Weight : 406g



XR-A01-1 (84mm) NEW

Ball bearing w/plastic sheath
Cold-forged steel cups
Thread : BC1.37"×24T L/R
Axle : Boron steel
Phoshated cups
Weight : 346g



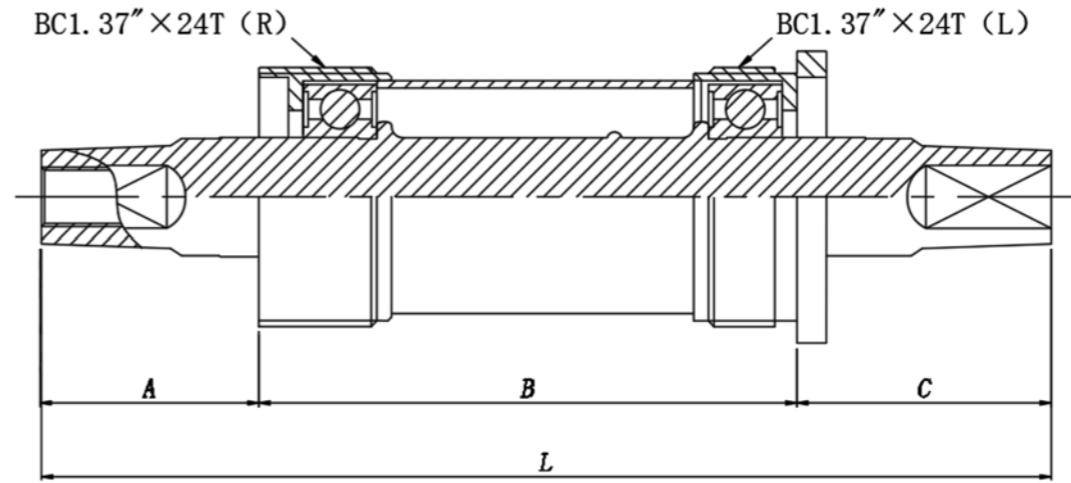
XR-A01-1 (100mm) NEW

Ball bearing w/plastic sheath
Cold-forged steel cups
Thread : BC1.37"×24T L/R
Axle : Boron steel
Phoshated cups
Weight : 397g



XR-A01-1 (50mm) NEW

Ball bearing w/plastic sheath
Cold-forged steel cups
Thread : BC1.37"×24T L/R
Axle : Boron steel
Phoshated cups
Weight : 262g



A	B	C	L
30	80	30	140
29.5		32	141.5
34	82	32.5	148.5
28	83	32	143
26	84	23	133
24		28	136
27		27	138
30		26	140
31		30	145
34		34	152
34.5	87	37.5	156
25		27	139
26		28	141
26		31.5	147.5
33	92	36	161

A	B	C	L
24.5	100	27	151.5
26		27	153
26		29.5	155.5
28		28	156
27	102	29.5	156.5
28		31	159
29.6		30.4	160
29.5		34.5	164
29.6		30.4	162
29.5		110	28
29.5	30		169.5
30	31		171
22	120		24.5
24		26	170
26		28	174
27		27	174
25		32	177
30.8		28.7	179.5



XR-B02

MTB ROAD
Aluminum cup+Bearing
Ø 46mm OD Alloy Cups
Ø 24mmX Ø 24mm through Axle
one size fits 68mm-73mm



XR-B03

MTB ROAD
Aluminum cup+Bearing
Ø 46mm OD Alloy Cups
Ø 30mmX Ø 30mm through Axle
one size fits 68mm-73mm



XR-B01-L

EXTERNAL BOTTOM BRACKET SET
• Thread BC1.37X24T.
• 24mm through Axle.
• Nylon sheath.
• One size fits both 68mm & 73mm.



XR-B01

MTB BB-92
Press in bearings
41mm OD Alloy Cups
24mm through Axle
Nylon sheath



XR-A01-L

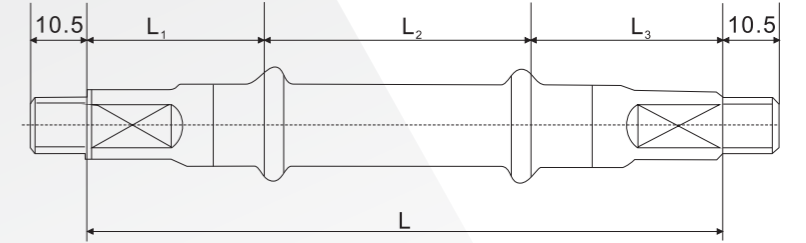
Sealed bearing w/aluminum sheath
Cold-forged Alloy cups
Smooth turning
Thread :BC1.37" X 24T L/R
Axle :Boron steel
Finish :anodized
Weight :247g

DW	B.B	L ₁	L ₂	L ₃	L	□
3L	68	32	52	32	116	□12.62 ^{+0.05} 0
3A	68	32	52	33.5	117.5	
3P	68	32	52	35	119	
3S	68	35	52	37.5	124.5	
3NL	68	36	52	36	124	
3T	68	35	52	39	126	
3U	68	35	52	40.5	127.5	
3R	68	35	52	42	129	
5L	70	32	54	32	118	
5P	70	32	54	35	121	
5S	70	35	54	37.5	126.5	
5T	70	35	54	39	128	
5U	70	35	54	40.5	129.5	
5R	70	35	54	42	131	
6S	72	35	56	37.5	128.5	

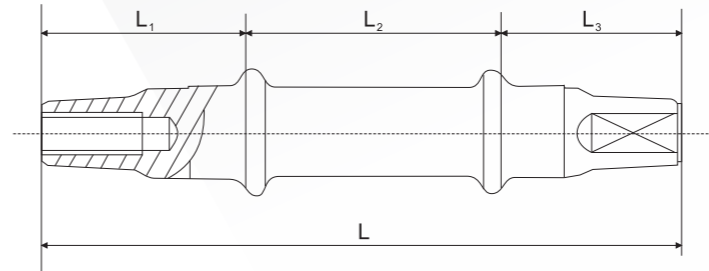
3H	68	28	51	28	107
3M	68	28	52	28	108
3E	68	28	52	30.5	110.5
3J	68	30	52	30.5	113



XR-A03 NUT TYPE



XR-A04 BOLT TYPE

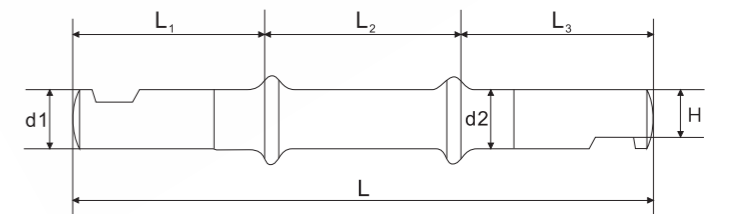


DW	B.B	L ₁	L ₂	L ₃	L	□
3C	68	30.5	52	32	114.5	□12.62 ^{+0.05} 0
3N	68	32	52	36	120	
3SS	68	32	52	37.5	121.5	
3PL	68	35	52	35	122	
3UM	68	37.5	52	40.5	130	
3RM	68	37.5	52	42	131.5	
3RMC	68	40.5	52	42	134.5	
5N	70	32	54	36	122	
5SS	70	32	54	37.5	123.5	
5NL	70	38	54	38	130	
6NL	72	32	56	36	124	
6N	72	32	56	37	125	
6P	72	32	56	35	123	
6L	72	32	56	32	120	
6T	70	35	56	39	130	

B	B.B	L ₁	L ₂	L ₃	L	d ₁	d ₂	H
B52.5	68	41	52	49	142	16 ⁰ _{-0.07}	17.5 ^{±0.02}	□14 ⁰ _{-0.24} OR 13 ⁰ _{-0.24}
B54.5	70	43	54	47	144	16 ⁰ _{-0.07}	17.5 ^{±0.02}	
B55	70	42	55	48	145	16 ⁰ _{-0.07}	17.5 ^{±0.02}	
YB1	68	46	52	50	148	15.88 ⁰ _{-0.07}	16.5 ^{±0.02}	
YB2	68	49	52	50	151	15.88 ⁰ _{-0.07}	16.5 ^{±0.02}	
YB3	72	44	56	48	148	15.88 ⁰ _{-0.07}	16.5 ^{±0.02}	
YB4	72	51	56	53	160	15.88 ⁰ _{-0.07}	16.5 ^{±0.02}	

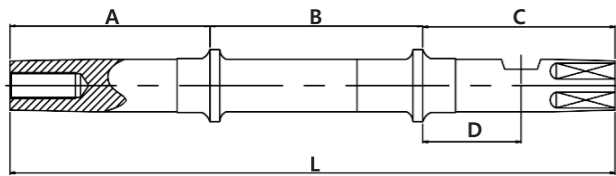


XR-A06 COTTERED





XR-A04 *NEW*

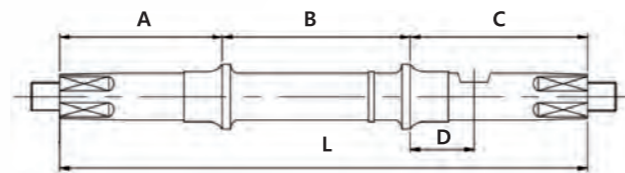


A	B	C	D	L
62.5	80	62.5	31	205
74	66	74	35	214
51	96	69	30	216
62	96	65	32	223
65	96	68	32	229
65	96	68	25	229
67	106	67	25	240
99	66	103	37.5	268
87	96	87	30	270
87	96	87	32	270
89	96	89	30	274
104	66	104	47	274

A	B	C	D	L
80.2	93.7	82.1	35	256
80.2	93.7	82.1	32	256
83	96	83	30	262
83	96	83	28	262
85.2	93.7	87.1	27	266
87	81	102	30	270
87	81	102	28.5	270
87	81	102	35	270
90.5	89	90.5	26	270
94	96	94	32	284



XR-A03 *NEW*



XR-A301 (146mm) *NEW*

Exercise Bike
 Dimensions : $\varnothing 17_{-0.030}^{-0.015}$ $\square 12.7_{-0.1}^{+0}$
 Tooth pattern : M10×P1.25
 Axle : Boron steel



XR-A301 (176mm) *NEW*

Exercise Bike
 Dimensions : $\varnothing 20_{-0.025}^{-0.015}$ $\square 12.6_{-0}^{+0.05}$
 Tooth pattern : M20×P1.0
 M10×P1.25
 Axle : Boron steel



XR-A301 (170mm) *NEW*

Exercise Bike
 Dimensions : $\varnothing 20_{-0.025}^{-0.015}$ $\square 15.9_{-0}^{+0.05}$
 Tooth pattern : M12×P1.25
 Axle : Boron steel



XR-A301 (186mm) *NEW*

Exercise Bike
 Dimensions : $\varnothing 17_{-0.03}^{-0.01}$ $\square 12.62_{-0}^{+0.07}$
 Tooth pattern : M10×P1.25
 Axle : Boron steel



XR-A301 (226mm) *NEW*

Exercise Bike
 Dimensions : $\varnothing 20_{-0.025}^{-0.015}$ $\square 16.6_{-0}^{+0.05}$
 Tooth pattern : M12×P1.25
 Axle : Boron steel



XR-BB01

Cup Size : $\varnothing 51.6\text{mm}$
 Left Cone : 7/8" uns24T-L
 Right Cone : 15/16" uns24T
 Material : Steel, Set of 9pcs
 Ball Retainer : 5/16" \times 9 \times 2pcs
 Finish : UCP/CP/Black



XR-BB01-B

Cup Size : $\varnothing 51.6\text{mm}$
 Left Cone : 7/8" uns24T-L
 Right Cone : 15/16" uns24T
 Material : Steel, Set of 9pcs
 Components : $\varnothing 30 \times 47 \times 9 \times 2$ pcs
 Sealed Bearing
 Finish : UCP/CP/Black



XR-BB02

Cup Size : $\varnothing 43.1\text{mm}$
 Left Cone : 3/4" \times 24T-L
 Right Cone : 13/16" \times 24T
 Material : Steel, Set of 9pcs
 Ball Retainer : 5/16" \times 7 \times 2pcs
 Finish : UCP/CP/Black



XR-BB03W *NEW*

Set : 5PCS
 Thread : BC1.37" \times 24T L/R
 Ball retainer : Caged (1/4" \times 9)
 Finish : UCP/CP/ED/Black



XR-BB03-1 *NEW*

Set : 7PCS
 Thread : BC1.37" \times 24T L/R
 Ball retainer : Caged (1/4" \times 9)
 Finish : UCP/CP/ED/Black



XR-BB03

Set : 5pcs
 Thread : BC1.37" \times 24T L/R
 Ball retainer : Caged (1/4" \times 9)
 Finish : UCP/CP/ED/Black



XR-BB04

Set : 5pcs
 Thread : BC1.37" \times 24T L/R
 Ball retainer : Caged (1/4" \times 9)
 Finish : UCP/CP/ED/Black



XR-BB05

Water-resistant
 Set : 5pcs
 Thread : BC1.37" \times 24T L/R
 Ball retainer : Caged (1/4" \times 9)
 Finish : UCP/CP/ED/Black



XR-BB06

Set : 6pcs
 Thread : BC1.37" \times 24T L/R
 Ball retainer : Caged (1/4" \times 9)
 Finish : UCP/CP/ED/Black



XR-BB07

Set : 5pcs
 Thread : BC1.37" \times 24T L/R
 Ball retainer : Caged (1/4" \times 9)
 Finish : UCP/CP/ED/Black



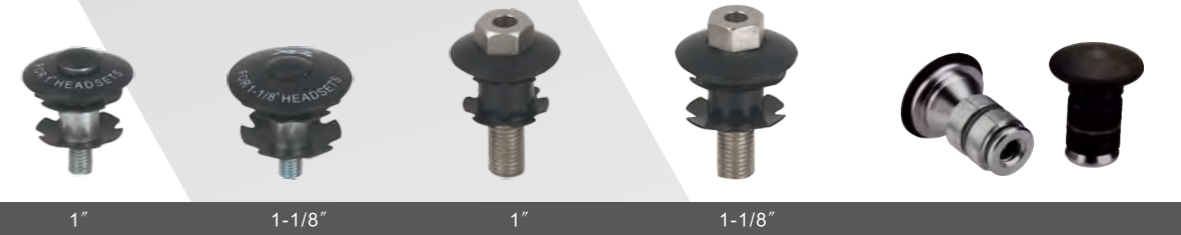
XR-BB08

Set : 5pcs
 Thread : BC1.37" \times 24T L/R
 Ball retainer : Caged (1/4" \times 9)
 Finish : UCP/CP/ED/Black



XR-BB09

Set : 5pcs
 Thread : BC1.37" \times 24T L/R
 Ball retainer : Caged (1/4" \times 9)
 Finish : UCP/CP/ED/Black



Color: Silver, Black
 Size: 1" or 1-1/8"
 Component: Alloy Top Cap, Alloy Body



XR-S01



XR-S02-1

XR-S02-2

XR-S02-3

XR-S03-1

XR-S03-2



XR-S03-3

XR-S03-4

XR-S03-5

XR-S03-6

XR-S04

SPACERS ALLOY

Straight wall alloy spacers are available in height : 5/10/20/30mm



M25 \times P1.5 M25 \times P1.5

铝盖



XR-S05

防水螺钉

防盗螺钉

SPACERS CARBON & ALLOY

Straight wall alloy spacers are available in height : 5/10/15/20/25/30mm



普通螺钉



XR-R01 ROTATER

Material : Steel
 Thread : 1" or 1-1/8"
 Material : Steel
 Finish : UCP/CP/ED/BLACK



1-1/8"



XR-3E

